



**WOODLINE**  
SHADE SOLUTIONS  
— 2015/16





---

25 YEARS OF AFRICAN SHADE AROUND THE WORLD

---

*Just some of the locations where our shade solutions have been used in the 25 years since we started manufacturing shade in Africa*

ADDRESS:

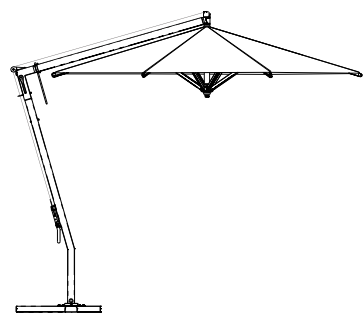
Office 058, Techno Hub 1,  
Dubai Silicon Oasis, Dubai, UAE  
[www.woodline.co.za](http://www.woodline.co.za)

CONTACT US:

Tel: +971 4 3398019  
Mob: +971 56 547 4011  
Email: [info@versatiles shading.ae](mailto:info@versatiles shading.ae)



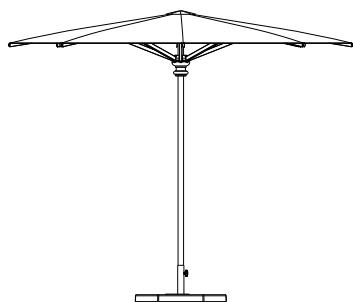
PICK THE PERFECT SHADE SOLUTION



**PICOLLO**  
*Versatile*

Probably the most versatile shade solution range on the market today the Picollo is designed to provide shade through 360° and more. Its unique tilt system allows the parasol to angle toward the sun extending the shade it casts.

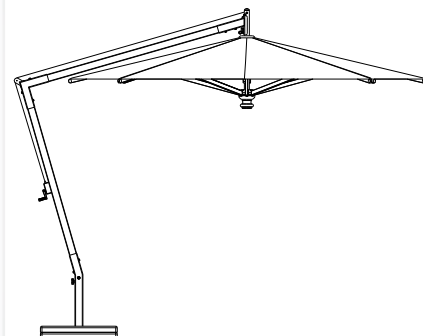
*Page 6*



**SAFARI**  
*The Original*

The Safari is a true classic, its all wood composition gives it the warm old world charm. Built the way things used to be built, to last.

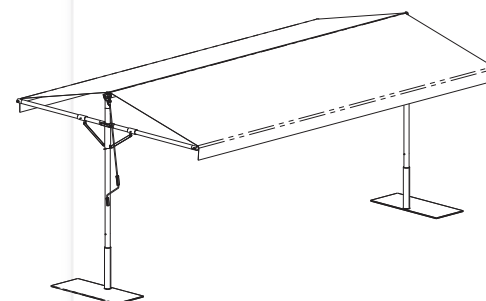
*Page 16*



**PENDULUM**  
*Substantial*

Significance in all its splendor, the Pendulum parasol is the larger of the two Woodline cantilever ranges. Boldly expressing the pinnacle in parasol form and function.

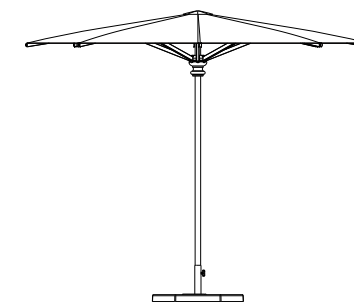
*Page 26*



**PAPILLON**  
*One of a kind*

Largest of all the Woodline shade solutions, the unique Papillon range bestows shade on all and sundry. Whilst keeping the dual post framework free, clear and out of the way.

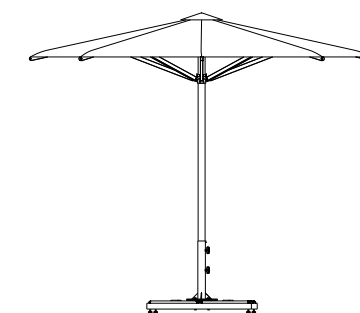
*Page 34*



**BRAVURA**  
*Modern Mixer*

Mixed mediums defines this truly modern market parasol, reaching an exquisite balance of beauty, strength and ease of use.

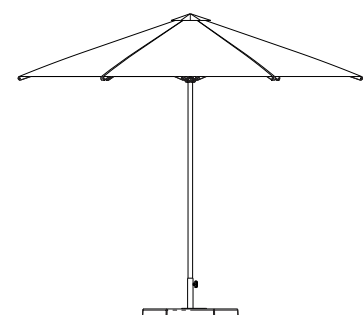
*Page 42*



**STORM**  
*Fortitude*

Engineered to endure the Storm range is the most robust parasol of the modern age. Combining ultra corrosive resistant materials with marine engineering to produce a parasol that's beauty lies in its strength

*Page 52*



**MISTRAL**  
*Elegant Simplicity*

The blue collar market parasol with a modern aesthetic. The Mistral is as comfortable at home as it is in the marketplace.

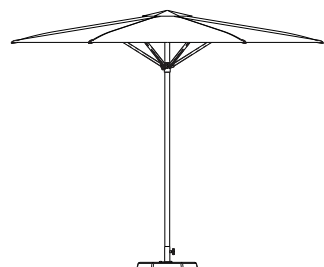
*Page 60*



**SWIFT**  
*Personal*

Precise and petite this little parasol places the shade you want where you want it.

*Page 68*



**TAKU**  
*Effective*

Simple and effective the Taku is great value, produced from quality materials with fine workmanship.

*Page 74*

THE PERFECT FINISHING TOUCHES

**BASES**  
*Anchorage*

Anchor your shade where you want it with our wide range of base options.

*Page 80*

**FABRICS & THREAD**  
*Shelter*

Select from the finest outdoor fabric the world has to offer, stitched with finest thread of course.

*Page 88*

**ACCESSORIES**  
*Accompaniment*

Browse various options to accessorize your shade.

*Page 89*

**BRANDING**  
*Outdoor Messenger*

Long lasting outdoor advertising with a purpose.

*Page 90*

**OEM**  
*Customize*

Customise our shade systems to benefit your bottom line.

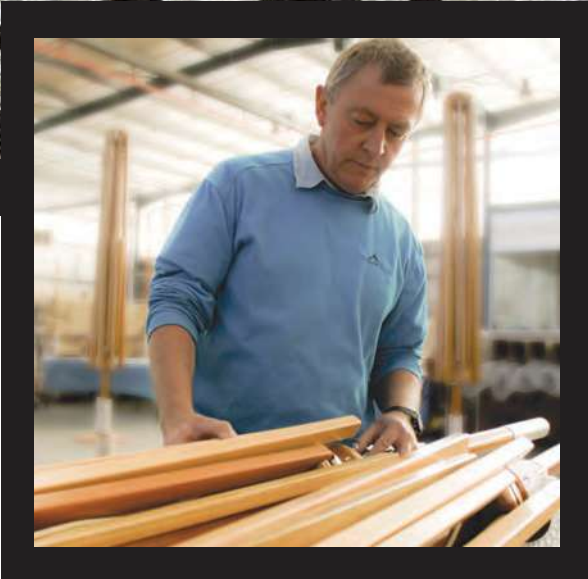
*Page 92*

**CARE & MAINTENANCE**  
*Cognizance*

Looking after your shade system has never been this easy.

*Page 94*





### *Outdoor man.*

Woodline is a reflection of its German Namibian founder Fritz Walter who has spent all his life in the outdoors. From fishing for a living in the Atlantic and off trawlers in the frigid waters of Alaska, to farming cattle and game in the Highveld of South Africa Fritz cant get enough of the outdoors.

His experiences have taught him that to live, work and relax outside you need the best designed and made products. An outdoor man by birth and an engineer by training Fritz has unrivaled knowledge and understanding of shade systems.

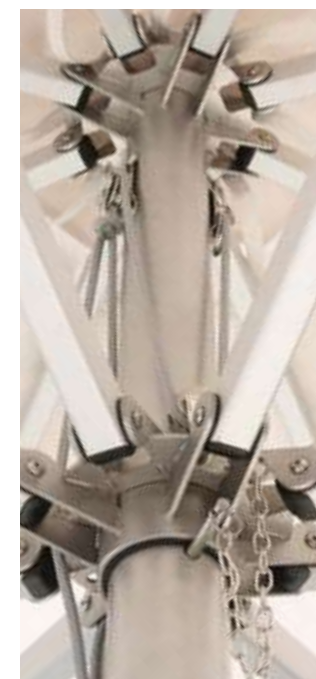
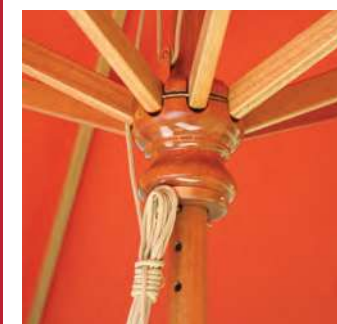
Coupled with his passion for excellence he has emerged as one of the world leaders in the shade industry, all because he knows undoubtedly that "its better outside".

### *Quality engineering and production.*

Knowing that extreme and unpredictable weather will find the weakest point in any outdoor structure, from blazing sunshine to driving rain, we engineer our shades to cope with its rapid changes. Every aspect of our shade systems have been designed and produced to the highest standards possible to affirm strength and longevity.

Which is why we only use high grade non-corrosive materials for our canopy frames and structures, such as light weight aluminium, ultra weather resistant eucalyptus, and stainless steel for its remarkable strength.

Our outdoor fabrics have been selected from the worlds best for their UV, dirt and water resistant properties to ensure a long well shaded lifespan.



### *African Shade.*

Africa is the "home of sunshine and extreme weather", it is the continent that knows about the importance of shade probably more than any other in the world.

We have been making shades for the African market for 25 years, and have established ourselves as the market leader in all of Africa.



### *African made.*

Since the very start of Woodline in 1990 we have been manufacturing parasols in South Africa, one of Africa's many developing countries. We are proud to manufacture each of our products ourselves in our own factories, making sure that each piece meets our standard of excellence, whilst providing jobs and opportunities to skillful artisans.

Bolstered by the current expansion to a new purpose built factory with significant growth potential we are looking forward to a bright future.







# PICOLLO RANGE

This range of ingenious cantilever parasols are exceptionally versatile and remarkably hard-wearing.

Boasting both a 360° rotation and also a unique side to side tilting feature that is intelligently designed to allow the canopy to track the sun and cast the perfect shade throughout the day.

Numerous mounting options includes a wall mount which is fast gaining traction as it frees up valuable floor space. Canopy tensioning options have been exquisitely engineered for smooth and single-handed operation.

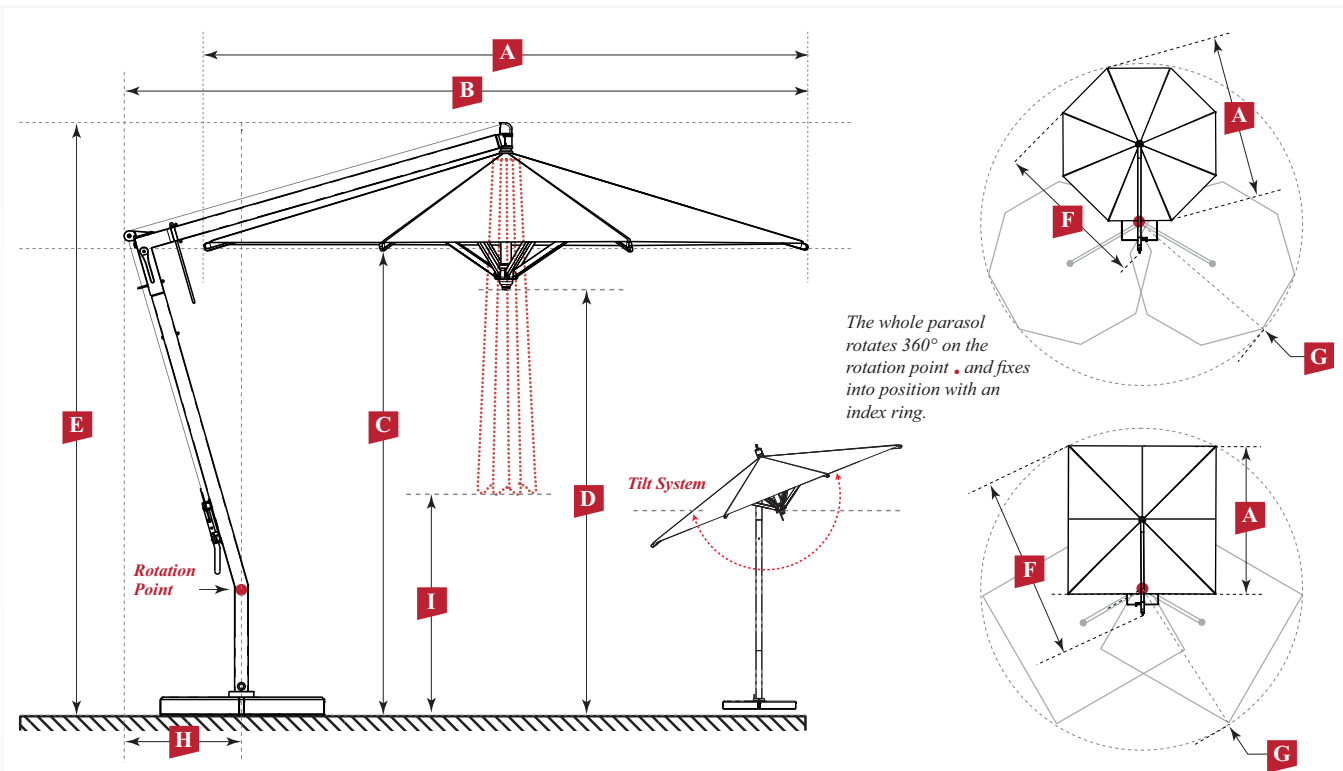
The canopy fabric is attached using a quick release system, making it a breeze to remove for seasonal changes or care and maintenance.

Versatility, durability and aesthetic design all align to make the Picollo a genuine patron of shade.





CANTILEVER PARASOL SPECIFICATIONS



- A** Canopy size:  
Round – size is measured from tip to tip through the center  
Square – size is measured from tip to tip on one side
- B** Back of pulley to front of canopy
- C** Head clearance from arm tip
- D** Head clearance below hub
- E** Overall height
- F** Maximum distance between ends
- G\*** Rotation point to farthest arm tip
- H** Minimum clearance from rotation point
- I** Ground clearance when closed without cover bag
- Center of Rotation point, 360 degrees

**G\*** This distance is measured from the pivot point to the farthest distance on the circle created as the parasol rotates 360 degrees.  
**\*\*** R35 is only available as a Non-Tilt  
 All vertical measurements are taken from the ground level, including height of free-standing QuattroCon base (± 3.74in / 95mm height).  
 All measurements (imperial and metric) are approximate and shown as decimals. To be used only as a guideline.

SHAPE	MODEL	PARASOL FRAME	CODE	A	B	C	D	E	F	G*	H	I
 Round Octagonal - 8 Ribs -	R30	Aluminium (Standard)	15072	9.8ft	10.4ft	7.34ft	6.52ft	8.92ft	10.7ft	8.9ft	1.8ft	3.48ft
		Eucalyptus & Aluminium (Alternative)	15073	3.0m	3.19m	2.24m	1.99m	2.72m	3.27m	2.74m	0.55m	1.06m
	R32	Aluminium (Standard)	15074	10.5ft	10.7ft	7.18ft	6.52ft	8.92ft	11ft	9.2ft	1.8ft	3.21ft
		Eucalyptus & Aluminium (Alternative)	15075	3.2m	3.27m	2.19m	1.99m	2.72m	3.35m	2.81m	0.55m	0.98m
	R35 (Non-Tilt only)**	Aluminium (Standard)	15076	11.5ft	11.3ft	6.6ft	6.52ft	8.92ft	11.1ft	9.58ft	1.8ft	2.36ft
		Eucalyptus & Aluminium (Alternative)	15077	3.5m	3.45m	2.03m	1.99m	2.72m	3.38m	2.92m	0.55m	0.72m
 Square - 8 Ribs -	S25	Aluminium (Standard)	15078	8.2ft	10.1ft	7.0ft	6.52ft	8.92ft	10.5ft	10.5ft	1.8ft	2.55ft
		Eucalyptus & Aluminium (Alternative)	15079	2.5m	3.1m	2.15m	1.99m	2.72m	3.2m	3.2m	0.55m	0.78m
	S30	Aluminium (Standard)	15080	9.8ft	11ft	6.9ft	6.52ft	8.92ft	11.9ft	10.2ft	1.8ft	1.47ft
		Eucalyptus & Aluminium (Alternative)	15081	3.0m	3.35m	2.1m	1.99m	2.72m	3.63m	3.12m	0.55m	0.45m

CANTILEVER PARASOL STRUCTURAL & OPENING OPTIONS



The unique tilt system turns the canopy to provide optimal shade angles as standard.



Piccolo Non Tilt. Without the standard tilt system the Picollo still rotates 360°.



A lever system holds the canopy in the open position (standard).



A winch system opens and hold the canopy in position (alternative option).

STRUCTURE	STRUCTURE COMPONENTS	TILTING OPTIONS	OPENING & CLOSING OPTIONS	CODE
 Offset Cantilever (Standard)	Entire Structure from Aluminium (Standard)	Tilt System (Standard) Not available for the R35	Lever (Standard)	15082
		Non-Tilt (Alternative)	Winch (Alternative)	15083
	Aluminium (Spigot Sleeve & Boom) with Eucalyptus (Post) combination (Alternative)	Tilt (Standard)	Lever (Standard)	15084
		Non-Tilt (Alternative)	Winch (Alternative)	15085
 Vertical Cantilever (Variant)	Entire Structure from Aluminium (Including the Parasol Arm Angle Reinforcement shown here.)	Non-Tilt (Only)	Lever (Standard)	15086
			Winch (Alternative)	15087
 Wall mounted Bracket (Variant)	Entire Structure from Aluminium with Stainless Steel Mounting Brackets (Tilt Wall Mounting Bracket shown here)	Tilt (Standard) Not available for the R35	Lever (Standard)	15088
			Winch (Alternative)	15089
 Vertical Cantilever (Variant)	Entire Structure from Aluminium (Including the Parasol Arm Angle Reinforcement shown here.)	Non-Tilt (Only)	Lever (Standard)	15090
			Winch (Alternative)	15091
 Wall mounted Bracket (Variant)	Entire Structure from Aluminium with Stainless Steel Mounting Brackets (Tilt Wall Mounting Bracket shown here)	Tilt (Standard) Not available for the R35	Lever (Standard)	15092
			Winch (Alternative)	15093
			Offset Pulley Winch (Alternative)	15094
			Lever (Standard)	15099
 Wall mounted Bracket (Variant)	Entire Structure from Aluminium with Stainless Steel Mounting Brackets (Tilt Wall Mounting Bracket shown here)	Non-Tilt (Alternative)	Winch (Alternative)	15100
			Offset Pulley Winch (Alternative)	15094

PICOLLO WALL MOUNTING STRUCTURES

Need to free up a some space? Say like on a cosy little balcony for instance. Adding to its versatility the Picollo can easily be mounted against a wall to free up floor space, and with a unique Offset Pulley Winch system it can even be installed above a door or window.



Piccolo Wall Mount - Tilt System



Piccolo Wall Mount - Non Tilt.

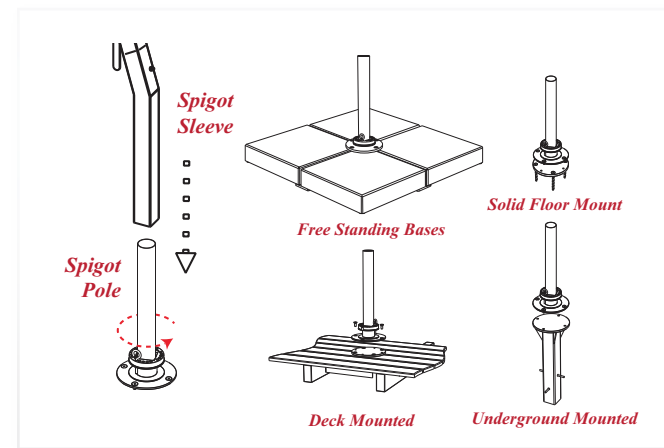


CANTILEVER PARASOL  
WALL MOUNT, BASE & MOUNTING OPTIONS

Round Shape (R30, R32, R35)	Square Shape (S25, S30)	Offset Pulley Winch (Alternative Option)
Available in Tilt (Standard) or Non-Tilt (Alternative) R35 - Non Tilt only. With Lever (Standard) or Winch (Alternative) opening mechanisms.	Available in Tilt (Standard) or Non-Tilt (Alternative). With Lever (Standard) or Winch (Alternative) opening mechanisms.	For mounting above windows or doors. Tensioned only with a Winch. Mounted to the left or right (right shown below) of opening. Available for Tilt (Standard) or Non-Tilt (Alternative) system.
Arch with Closed Canopy Structure in stowed position		Rotation Point
		Offset Pulley Winch mounted to the right

BASE OPTIONS

To facilitate 360° rotation the Picollo's Spigot sleeve slips over a Spigot pole, and is kept in place by the index ring. The Spigot pole can be mounted to various base systems or surfaces at ground level by the following methods.



Piccolo Spigot Mounting Systems enable 360° rotation



Double Paver Frame Kit (Pavers not included) Double Stack SQ. Metal Plate Base



Deck Mount - Round Solid Floor Mount - Round



Underground Mount - Round Wall Mount Bracket - Non Tilt

SUGGESTED FREE STANDING BASE SYSTEMS	WEIGHT	CODE	SUGGESTED MOUNTING SYSTEMS	CODE
QuattroCon Slab Base	130kg	16041	Deck-Mount (450 x 300 adjustable)	16127
Movable Frame QuattroCon Base	145kg	16043	Solid Floor Mount	16125
Double Paver Frame Kit	NA	16047	Underground Mount	16121
Double Stack SQ. Metal Plate Base (800mm <sup>2</sup> )	122kg	16062	Wall Mount - Non Tilt	15099
The Spigot Pole (included with the structure) is bolted with a base plate to 4 concrete slabs (included in kit). The slabs are housed on a free standing metal frame with a corner height adjustable slider.			The Spigot Pole (included with the structure) is mounted to wooden decks with the mounting plate and a Universal Below Deck Bracket which is adjusted to fit between the decks supporting beams.	
The Movable frame with lockable wheels is a mobile option to house the QuattroCon Slabs (included with kit). The slabs are fitted with a base plate to which the Picollo Spigot Poles is bolted.			The Spigot Pole (included with the structure) is mounted to a Universal Mount Plate which is bolted to solid concrete flooring (at least 100mm thick at ≥30 MPa) with anchor bolts.	
The Spigot Pole (included with structure) is mounted to a frame fitting 8 standard sized paver slabs (40.6mm <sup>2</sup> , 30kg min weight each) purchase locally (included on special request) to save shipping costs.			The Spigot Pole (included with the structure) is mounted to the Underground mount which is to be cemented into the earth where the surface is non solid gravel or loose earth.	
Double Metal Plate Bases with height adjustable sliders. Two metal plates are stacked on top of each other and bolted together.			With the stainless steel Wall Mount Bracket (Standard with Lever tension system) the Picollo Wall Mount Structure is able to be mounted onto a solid brick and mortar wall.	

For more information and further anchoring options please see chapter on bases - page 80

CANTILEVER PARASOL  
CANOPY FABRIC OPTIONS, ATTACHMENT METHOD & ACCESSORIES



Sunbrella, Primo & Syntec outdoor fabrics

FABRIC OPTIONS

Choose from stylish arrays of modern, fashionable & classic fabrics that are specifically selected to endure outdoor living. Available in colours and patterns to compliment your style and fit any environment.

FABRIC TYPE	R30	R32	R35	S25	S30
Sunbrella	15057	15060	15063	15066	15069
100% Sunbrella solution dyed colour fast fabric is UV, water, mould & stain resistant. A real world leader in outdoor fabrics.					
Primo	15058	15061	15064	15067	15070
Primo fabric is a range of customized fabrics specifically made for shade					
Syntec	15059	15062	15065	15068	15071
Syntec fabric is completely water, soil and oil repellent.					

For more info see chapter on Fabrics - page 98

CANOPY ATTACHMENT METHOD

The canopy fabric comes fitted to its frame by means of Loxx quick release system (Standard for orders in the USA) or stainless steel Eyelets (Standard for orders outside of the USA). Making it a breeze should you wish to remove the fabric for cleaning or seasonal changes.



The quick release attachment system clips on and off to secure the canopy to its frame. (Standard in USA)

SS Eyelets - Solid Stainless Steel (A4 - #316) Rim Grommet with self-interlocking spur washer. (Standard outside USA)

The whole canopy assembly is easily removed for storage.

OEM Canopy attachment options include, leather or self fabric pockets and innovative Loxx system for orders outside of USA. For more info see chapter on OEM - page 92.

ACCESSORIES

Prolong the life of the canopy fabric by protecting it with a cover bag and/or hanging it on a storage bracket when not in use.

COVER BAGS	SUNBRELLA	PRIMO	SYNTEC	Storage Bracket	16900
MEDIUM (S25, R30, R32)	14982	15095	15096		The stainless steel Storage Bracket is mounted to a wall and used to hang the entire canopy assembly on when not in use. The canopy assembly can easily be detached, and reattached to the parasol structure.
LARGE (S30, R35)	14983	15097	15098		





CANTILEVER PARASOL  
PACKAGING DETAILS

PACKAGING DIMENSIONS & WEIGHT

The Structures and canopy frames of the Piccolo Cantilever Parasol Range are packed in two separate boxes. 1 for the canopy assembly, with the fabric pre attached, and 1 for the frame structure. Bases & Accessories are packed separately.

	CARTON PACKAGING	N° of BOXES	LENGTH OF BOX	WIDTH OF BOX	HEIGHT OF BOX	TOTAL WEIGHT
STRUCTURE	Piccolo Canopy Fabric & Frame (S25, R30, R32)	1	97.8in / 248.5cm	8in / 20.5cm	7.4in / 19cm	23.1 - 24Lb / 10.5 - 10.9kg
	Piccolo Canopy Fabric & Frame (R35, S30)	1	97.8in / 248.5cm	8in / 20.5cm	7.4in / 19cm	25.3 & 27.1Lb / 11.5 & 12.3kg
	Piccolo Offset Cantilever Structure (a)  (b)	1	84.6in / 215cm	11.9in / 30.4cm (a) 9.8in / 25cm (b)	2.9in / 7.5cm	(Tilt) 21.6Lb / 9.8kg (Non Tilt) 18.3Lb / 8.3kg
	Piccolo Vertical Cantilever Structure (Non Tilt only)	1	84.6in / 215cm	11.9in / 30.4cm (a) 9.8in / 25cm (b)	2.9in / 7.5cm	21.3Lb / 9.7kg
	Piccolo Wall Mount Structure (Tilt & Non Tilt)	1	72in / 183cm	11.8in / 30cm	2.9in / 7.5cm	(Tilt) 15.8Lb / 7.2kg (Non Tilt) 10.1Lb / 4.6kg
	Piccolo Wall Mount Bracket (Tilt & Non Tilt)	1	11.8in / 30cm	10.6in / 27cm	7.8in / 20cm	(Tilt) 16.5Lb / 7.5kg (Non Tilt) 13.6Lb / 6.2kg
	Piccolo Wall Mount Offset Pulley System	1	Packed with Wall Mount Bracket			
BASES	QuattroCon Base Slabs Set of Four	4	16.7in / 42.5cm	16.7in / 42.5cm	3.9in / 10cm	268.9Lb / 122kg
	QuattroCon Slab Frame	1	31.5in / 80cm	9in / 23cm	3.9in / 10cm	18.3Lb / 8.3kg
	Movable Frame for QuattroCon Slab Base	1	41.3in / 105cm	41.3in / 105cm	2.5in / 6.5cm	55.1Lb / 25kg
	Double Paver Frame Kit	1	36in / 91.5cm	36in / 91.5cm	3.3in / 8.5cm	48.9Lb / 22.2kg
	Double Stack SQ. Metal Plate (800mm²)	2	33.8in / 86cm	33.4in / 85cm	6.5in / 16.5cm (total)	270Lb / 122.5kg
	Deck Mount - (450x300 Adjustable)	1	18.5in / 47cm	13.4in / 34cm	13.4in / 12cm	31.9Lb / 14.5kg
	Solid Floor Mount	1	9.84in / 25cm	8in / 20.5cm	8.6in / 22cm	16.4Lb / 2.9kg
	Underground Mount - Round	1	31.8in / 81cm	8.2in / 21cm	8.2in / 21cm	19.1Lb / 8.7kg
	Piccolo Spigot only	1	22in / 56cm	8.6in / 22cm	8.6in / 22cm	9.4Lb / 4.3kg
	Universal Mount Plate	1	Packed with Spigot			
ACCESSORIES	Cover bag with Stick	1	53.1in / 135cm	8cm Ø	8cm Ø	2.2Lb / 1kg
	Piccolo Storage Bracket	1	6.3in / 16cm	4.7in / 12cm	1.9in / 5cm	1.1Lb / 0.52kg

All measurements and weights (imperial and metric) are approximate and shown as decimals. Woodline reserves the rights to change the details of its products and packaging at any time. The above table is subject to change without prior notice and is to be used only as a guideline.



Piccolo Tilt shades a private deck.



Solid floor mounted Piccolo - non tilt, cast shade for the patrons of an outdoor restaurant.

CANTILEVER PARASOL  
OEM REFERENCE



OEM OPTIONS

Have an order worth customizing? To set yourself apart or simply fit your particular environmental needs customize your Piccolo parasol order from the canopy to the structure, right down to the bases. Choose from a variety of functional and elegant OEM offered materials, treatments and finishing touches. For more OEM information please see chapter on OEM - page 92.



Stainless steel component materials



Various finishes of components



Various branding options



Various packaging options

OEM BRANDING & PRINTING OPTIONS

Make the most of your parasols outdoor presence, by giving your brand its day in the sun, everyday.

- PRINTING ON TOPSIDE OF CANOPY.**  
 The top of the Piccolo's outstretched canopy offers prime real estate for outdoor branding. Visible from a distance, from above, and with the Piccolo's unique tilt system even from the side.
- PRINTING ON UNDERSIDE OF CANOPY.**  
 Get up close and personal, whilst enjoying the shade of the Piccolo's parasol the underside of the canopy is a great space to get your brands message across at close quarters.
- PRINTING ON ADDED VALANCE**  
 The vertical sides of a valance offer the perfect space to communicate your brand's message, directly in the line of sight and visible from a distance.
- PRINTING ON COVER BAG**  
 Promote your brand outdoors even whilst your Piccolo's canopy is safely stored.

For more information see section on OEM Branding - page 90.



Non-Tilt Piccolo's promote a well established food markets new deli



Piccolo Tilt shading the patrons of a popular Cafe





# WOODLINE'S WOOD WORKS

Woodline has been creating shade from wood for more than 25 years. It is safe to say, "We know how to work with wood."

Given the close connection with the outdoors and our love of the natural beauty that surrounds us, it goes with-out saying that Woodline also knows how important the responsible management of this precious resource is to us and the environment.

Our futures are intertwined, which is why Woodline only sources timber from 100% FSC certified timber mills, ensuring a responsible and sustainable supply. It is how we know where every piece of our timber comes from.

Eucalyptus Grandis is a genus of hardwood which trees grows tall and straight. It's wonderfully weather resistant and known to have one of the longest and straightest grain structures

giving it incredible strength and flexibility. Possibly why it has been used for centuries in mines to keep the earth from caving in, definitely why it is Woodline's timber of choice.

With wood precision is paramount, so to ensure stability and an even quality in our timber it is all kiln dried.

We are passionate about quality workmanship

and the finest machinery available. We pride ourselves on the strength of our world renowned wood laminates.

To enhance the longevity of the wood we finish it with a yacht varnish coating that also brings out the woods natural warmth.

If its wood that you want there is nothing that comes close to the look and feel of Woodline's wood works.





# SAFARI RANGE

With 25 years under its canopy this is Woodline's original design, now more popular than ever before.

With over 50 variable combinations of shape, size and pole dimensions, in addition to Tilt or Non Tilt options, this distinguished range of premier wooden market parasols has proven to be a true companion of time.

Meticulously crafted from the finest grade eucalyptus, sourced only from 100% FSC certified timber mills, and highest quality weather resistant fabrics, with durable stainless steel fittings. This is a wooden parasol that is built to outlast all others.

Features include a built-in stainless steel pulley system for the smooth opening of the canopy, an easily removable canopy attachment system with stainless steel eyelets for seasonal changes or fabric care, and the convenience of tilted pole options on select models.

The Safari with its all wood structure stylishly casts shade in today's modern era with authentic old world charm.









CENTER POLE PARASOL  
BASE OPTIONS



HexCon Slab 1PS Kit      HexCon Slab KDS Kit      Paver Frame Base



HAFCon Slab Base with 608 stainless steel pole sleeve      Aluminium Shell Kit with polished stainless steel pole sleeve.      Round Metal Plate with polished stainless steel pole sleeve

SUGGESTED FREE STANDING BASE SYSTEMS	WEIGHT	SIZE	RECOMMENDED FOR	POLE Ø	STAND Ø	CODE
<p><b>HexCon Slab 1PS Base Kit</b></p> <p>This classic hexagonal shaped, reinforced concrete base fits any of the Safari pole diameters with various combinations of weights and Pole Stand tube sizes available for various wind exposures.</p>	70.5Lb 32kg	Small	Light - Moderate Winds	1.5in 38mm	1.8in 48mm	16004
	121Lb 55kg	Medium	Moderate - Strong Winds	1.8in 48mm	2.2in 57mm	16007
	165Lb 75kg	Large	Strong - High Winds	2.3in 60mm	2.7in 70mm	16011
<p><b>HexCon Slab KDS Base Kit</b></p> <p>This classic hexagonal shaped, reinforced concrete base features a knock down stainless steel Pole Tube. It is easily assembled from above. Available in two weights for light to moderate winds with two recommended tube sizes.</p>	44Lb 20kg	Small	Light - Moderate Winds	1.5in 38mm	1.8in 48mm	16000
	66.1Lb 30kg	Medium		1.8in 48mm	2.2in 57mm	16003
<p><b>HAFCon Base</b></p> <p>The Height Adjustable Cement Base system consists of a metal frame with 4 height adjustable sliders, 4 reinforced cement slabs with inset carry handles and a base plate to which the Deluxe Bolt-on Pole Stand that fits the is 60mm Safari pole.</p>	300Lb 136kg	35.4in <sup>2</sup> 900mm <sup>2</sup>	Strong - High Winds	2.3in 60mm	2.7in 70mm	16040
<p><b>Paver Frame Base - Single (Available with lockable wheels)</b></p> <p>Consists of a metal frame which houses a single layer of 4 standard sized 40.6mm<sup>2</sup> paver slabs to be purchased separately from a local hardware store to save on shipping costs or included on special requested. Fits any of the Safari pole dimensions.</p>	(Frame) 48.2Lb 21.9kg	35.4in <sup>2</sup> 900mm <sup>2</sup>	Medium - Strong	2.3in 60mm	2.7in 70mm	16045
						16046 (Incl Wheels)
<p><b>Aluminium Shell Kit</b></p> <p>This inventive base kit consists of an Aluminium shell, reinforcing grid and fittings to create a concrete (separately purchased) filled base. Great saver on weight allocated shipping costs.</p>	Filled Weight 160LB 72.5kg	23.6in <sup>2</sup> 600mm <sup>2</sup>	Moderate - Strong Winds	1.8in 48mm	2.2in 57mm	16048
	Filled Weight 250LB 113.4kg	31.5in <sup>2</sup> 800mm <sup>2</sup>		2.3in 60mm	2.7in 70mm	16049
<p><b>Round Metal Plate Base</b></p> <p>Round Metal Plate Base with metal Pole Tube stand fits any of the Safari pole dimensions. Stand to be chosen separately. Available in various sizes for light and moderate wind exposures.</p>	24Lb 11kg	16 <sup>o</sup> x 0.4in 406 <sup>o</sup> x 10mm	Light - Moderate Winds	1.5in 38mm	1.8in 48mm	16050
	55Lb 25kg	24 <sup>o</sup> x 0.4in 609 <sup>o</sup> x 10mm	Moderate - Strong Winds	1.8in 48mm	2.2in 57mm	16054
<p><b>Square Metal Plate Base (available with roller wheels)</b></p> <p>Square Metal Plate Bases able to mount the 70mm Pole Tube stand to fit the 60mm Safari Pole. Able to be bolted to the floor for extra stability or available with roller wheels to facilitate maneuverability.</p>	92.6Lb 42kg	27.5 <sup>2</sup> x 0.4 700 <sup>2</sup> x 10	Strong - High Winds	2.3in 60mm	2.7in 70mm	16059
						With Rollers 16060

CENTER POLE PARASOL  
BASE OPTIONS



Square Metal Plate with stainless steel pole sleeve & rollers.      Deluxe Bolt-on Pole Stand - Square / Round      In-Ground Bayonet Pole Stand



Deluxe In-Ground Bayonet Pole Stand      Deck Mount      Table Clamp

SUGGESTED POLE STANDS & MOUNTING OPTIONS	MOUNTED	SIZE	RECOMMENDED FOR	POLE Ø	STAND Ø	CODE
<p><b>Deluxe Bolt-on Pole Stand - Square (S) / Round (R)</b></p> <p>The Deluxe Bolt-on Pole Stand is mounted directly onto concrete floors of at least 100mm thick @ ≥ 35Mpa with the use of a Universal Mounting plate. Two hand wheels tighten a shoehorn against the pole to ensure the perfect fit.</p>	Bolted to the floor or to other base systems	Small	Moderate - Strong Winds	1.5in 38mm	1.8in 48mm	S) 16100 R) 16101
		Medium	Moderate - Strong Winds	1.8in 48mm	2.2in 57mm	S) 16102 R) 16103
		Large	Strong - High Winds	2.3in 60mm	2.7in 70mm	S) 16104 R) 16105
<p><b>In-Ground Bayonet Pole Stand</b></p> <p>The In-Ground Bayonet Pole Stand secures the parasol pole into the ground. A single hand wheel tightens a shoehorn to ensure the perfect fit. A cap covers the hole when the parasol pole is not in use.</p>	Concreted into the ground	Small	Light - Moderate Winds	1.5in 38mm	1.8in 48mm	16112
		Medium	Moderate - Strong Winds	1.8in 48mm	2.2in 57mm	16113
<p><b>Deluxe In-Ground Bayonet Pole Stand</b></p> <p>The Deluxe In-Ground Bayonet Pole Stand secures the parasol pole into the ground and is suitable for the bigger parasols in higher winds. Two hand wheels tighten a shoehorn against the pole to ensure the perfect fit. A cap covers the hole when not in use.</p>	Concreted into the ground	Medium	Strong - High Winds	1.8in 48mm	2.2in 57mm	16116
		Large		2.3in 60mm	2.7in 70mm	16117
<p><b>Deck Mount - (300x300 adjustable)</b></p> <p>An adjustable deck mounting bracket is bolted between the supporting beams of a wooden deck. A universal mounting plate which is mounted through the wooden deck into the Universal Below Deck Bracket, fits any Pole or Tube stand.</p>	Bolts on under deck to secure the Pole Stand.	11.8 x 11.8 x 2.9in 300 x 300 x 75mm	Light - Moderate Winds	Accommodates any pole size with the appropriate Pole or Tube Stand		16126
		Moderate - Strong Winds				
<p><b>Table Clamp</b></p> <p>The Table Clamp mounting system is mounted to a table with a hole. Can be fitted from above or below the table top to position flush with the table top. A Shoehorn is tightened against the centre pole with a hand wheel.</p>	Bolts on under Table top	Small	Light - Moderate Winds	1.5in 38mm	1.8in 48mm	16131
		Medium		1.8in 48mm	2.2in 57mm	16132
<p><b>Ground Spike</b></p> <p>The Ground Spike secures the centre pole by being pushed into soft soil. A Shoehorn is tightened against the centre pole with a hand wheel.</p>	Is pushed or hammered into soft soil	Small	Light - Moderate Winds	1.5in 38mm	1.8in 48mm	16133
		Medium		1.8in 48mm	2.2in 57mm	16134

For more information and further anchoring options please see chapter on bases - page 80





CENTER POLE PARASOL  
CANOPY FABRIC OPTIONS & ATTACHMENT METHOD



Sunbrella, Primo & Syntec outdoor fabrics

FABRIC OPTIONS

Choose from stylish arrays of modern, fashionable & classic fabrics that are specifically selected to endure outdoor living. Available in colours and patterns to compliment your style and fit any environment.

<b>Sunbrella</b>	100% Sunbrella solution dyed colour fast fabric is UV, water, mould & stain resistant. A real world leader in outdoor fabrics.
<b>Primo</b>	Primo fabric is a range of customized fabrics specifically made for shade
<b>Syntec</b>	Syntec fabric is completely water, soil and oil repellent.

SHAPES	SUNBRELLA	PRIMO	SYNTEC	SHAPES	SUNBRELLA	PRIMO	SYNTEC
R27	16500	16501	16502	S25 - 48mm Ø	16542	16543	16544
R29	16503	16504	16505	S285	16545	16546	16547
R30 - 48mm Ø	16506	16507	16508	S29	16548	16549	16550
R30 - 60mm Ø	16509	16510	16511	S30 - 48mm Ø	16551	16552	16553
R35 - 48mm Ø	16512	16513	16514	S30 - 60mm Ø	16554	16555	16556
R35 - 60mm Ø	16515	16516	16517	S35	16557	16558	16559
R40 - 48mm Ø	16518	16519	16520	S38	16560	16561	16562
R40 - 60mm Ø	16521	16522	16523	R22x3 - 48mm Ø	16563	16564	16565
R50	16524	16525	16526	R22x3 - 60mm Ø	16566	16567	16568
S20 - 4 Rib	16527	16528	16529	R25x35 - 48mm Ø	16569	16570	16571
S20 - 8 Rib	16530	16531	16532	R25x35 - 60mm Ø	16572	16573	16574
S22	16533	16534	16535	R3x4	16575	16576	16577
S23	16536	16537	16538	R32x43	16578	16579	16580
S25 - 38mm Ø	16539	16540	16541				

CANOPY ATTACHMENT METHOD



The canopy fabric comes fitted to its frame by stainless steel Eyelets making it a breeze should you wish to remove the fabric for cleaning or seasonal changes.

Eyelet - Solid Stainless Steel (A4 - #316) Rim Grommet with self-interlocking spur washer. (Standard outside USA)

OEM Canopy attachment options include leather or self fabric pockets and the innovative Loxx system. For more information see chapter on OEM - page 92.

CENTER POLE PARASOL  
ACCESSORIES & PACKAGING DETAILS

ACCESSORIES

Keep the canopy neat and tidy whilst prolonging the life of the canopy fabric by covering the canopy with a cover bag when not in use.

COVER BAGS	SUNBRELLA	PRIMO	SYNTEC	PVC
Heavy Duty Zip Bag Small 1 (R27, R29, S20, S22, S23)	07989	04280	16962	04282
Heavy Duty Zip Bag Small 2 - Long (S25, [R2x3 OEM])	10831	04281	16966	04283
Heavy Duty Zip Bag Medium (R30, R35, S285, S29, S35, R22x3)	11694	04277	16970	04278
Heavy Duty Zip Bag Large (R40, S38, R22x33, R25x35, R3x4, R32x43)	07987	04274	16974	04275

PACKAGING

Ensuring that your Safari centre pole parasol gets to you in the same state that it left us, beautifully. Separate packaging for bases.

CARTON PACKAGING	N° of BOXES	LENGTH	WIDTH	HEIGHT	TOTAL WEIGHT
R27 Safari Canopy Fabric & Structure (Small Carton)	1	98in / 249cm	7.5in / 19cm	7.5in / 19cm	19.5Lb / 8.8kg
R29 Safari Canopy Fabric & Structure (Small Carton)	1	98in / 249cm	7.5in / 19cm	7.5in / 19cm	22.Lb / 10.16kg
R30 Safari Canopy Fabric & Structure (Medium Carton)	1	103.9in / 264cm	9in / 23cm	8.6in / 22cm	35.2Lb / 16.6kg
R35 Safari Canopy Fabric & Structure (Medium Carton)	1	103.9in / 264cm	9in / 23cm	8.6in / 22cm	37.4Lb / 17.8kg
R40 Safari Canopy Fabric & Structure (Large Carton)	1	111.4in / 283cm	10.2in / 26cm	10.2in / 26cm	46.3Lb / 21.9kg
R50 Safari Canopy Fabric & Structure (Large Carton)	1	111.4in / 283cm	10.2in / 26cm	10.2in / 26cm	62.6Lb / 28.4kg
S20 Safari Canopy Fabric & Structure (Small Carton)	1	98in / 249cm	7.5in / 19cm	7.5in / 19cm	21.6Lb / 9.8kg
S22 Safari Canopy Fabric & Structure (Small Carton)	1	98in / 249cm	7.5in / 19cm	7.5in / 19cm	22Lb / 10kg
S23 Safari Canopy Fabric & Structure (Small Carton)	1	98in / 249cm	7.5in / 19cm	7.5in / 19cm	22.7Lb / 10.3kg
S25 Safari Canopy Fabric & Structure (Medium Carton)	1	98in / 249cm	7.5in / 19cm	7.5in / 19cm	24Lb / 10.9kg
S285 Safari Canopy Fabric & Structure (Medium Carton)	1	111.4in / 283cm	10.2in / 26cm	10.2in / 26cm	43.6Lb / 19.8kg
S29 Safari Canopy Fabric & Structure (Medium Carton)	1	103.9in / 264cm	9in / 23cm	8.6in / 22cm	39Lb / 17.72kg
S30 Safari Canopy Fabric & Structure (Large Carton)	1	111.4in / 283cm	10.2in / 26cm	10.2in / 26cm	63.9Lb / 29.26kg
S35 Safari Canopy Fabric & Structure (Large Carton)	1	111.4in / 283cm	10.2in / 26cm	10.2in / 26cm	51.1Lb / 23.2kg
S38 Safari Canopy Fabric & Structure (Large Carton)	1	111.4in / 283cm	10.2in / 26cm	10.2in / 26cm	60.8Lb / 27.6kg
R22x3 Safari Canopy Fabric & Structure (Medium Carton)	1	103.9in / 264cm	9in / 23cm	8.6in / 22cm	43.4Lb / 19.7kg
R25x35 Safari Canopy Fabric & Structure (Large Carton)	1	111.4in / 283cm	10.2in / 26cm	10.2in / 26cm	48Lb / 21.7kg
R3x4 Safari Canopy Fabric & Structure (Large Carton)	1	111.4in / 283cm	10.2in / 26cm	10.2in / 26cm	58.4Lb / 26.5kg
R32x43 Safari Canopy Fabric & Structure (Large Carton)	1	111.4in / 283cm	10.2in / 26cm	10.2in / 26cm	62Lb / 28.1kg
HexCon Slab 1PS Base Slab (Small)	1	21.6in / 55cm	21.2in / 54cm	2.75in / 7cm	70.5Lb / 32kg
HexCon Slab 1PS Base Slab (Medium)	1	26.7in / 68cm	26.7in / 68cm	2.75in / 7cm	121.2Lb / 55kg
HexCon Slab 1PS Base Slab (Large)	1	30.7in / 78cm	30.7in / 78cm	2.75in / 7cm	165.3Lb / 75kg
HexCon Slab KDS Base Kit (Small)	1	20.6in / 52,5cm	21.6in / 55cm	2.75in / 7cm	44.1Lb / 20kg
HexCon Slab KDS Base Kit (Medium)	1	22.6in / 57,5cm	21.6in / 55cm	3.3in / 8.5cm	66.1Lb / 30kg
HAFCon Base - (Frame)	1	35.8in / 91cm	35.8in / 91cm	2.0in / 5.2cm	48.5Lb / 22kg
HAFCon Base - (Slabs x 4)	4	17.7in / 45cm	17.5in / 44.5cm	3.3in / 8.5cm	251.3Lb / 114kg

Continued on next page.





CENTER POLE PARASOL  
PACKAGING DETAILS CONTINUED & OEM REFERENCE

BASES	Paver Frame Base	1	31.8in / 91.5cm	31.8in / 91.5cm	2.9in / 8.5cm	48.2Lb / 21.9kg
	Aluminium Shell Kit (Medium)	1	24in / 61cm	24in / 61cm	3.9in / 10cm	12.3Lb / 5.6kg
	Aluminium Shell Kit (Large)	1	31.8in / 81cm	31.8in / 81cm	3.9in / 10cm	14.1Lb / 6.4kg
	Round Metal Plate Base (Small - 406mmØ x 10mm)	1	17.7in / 45cm	17.7in / 45cm	3.1in / 8cm	24.2Lb / 11kg
	Round Metal Plate Base (Medium - 508mmØ x 10mm)	1	20.2in / 51.5cm	20.2in / 51.5cm	3.1in / 8cm	37.4Lb / 17kg
	Round Metal Plate Base (Large - 609mmØ x 10mm)	1	25.6in / 65cm	25.6in / 65cm	1.7in / 4.5cm	55.1Lb / 25kg
	Square Metal Plate Base (Medium - 700mm <sup>2</sup> x 10mm)	1	29.9in / 76cm	29.9in / 76cm	2.3in / 6cm	92.6Lb / 42kg
	In-Ground Bayonet Pole Stand (Small)	1	7in / 92cm	4.72in / 12cm	2.76in / 7cm	8.8Lb / 4kg
	In-Ground Bayonet Pole Stand (Medium)	1	40.9in / 104cm	5.1in / 13cm	3.7in / 9.5cm	12.1Lb / 5.5kg
	Deluxe In-Ground Bayonet Pole Stand (Medium)	1	41.3in / 105cm	5.1in / 13cm	3.7in / 9.5cm	12.7Lb / 5.7kg
	Deluxe In-Ground Bayonet Pole Stand (Large)	1	41.3in / 105cm	5.3in / 13.5cm	3.7in / 9.5cm	9.9Lb / 4.5kg
	Deluxe Bolt-on Pole Stand (Small, Medium & Large)	1	22.4in / 57cm	8.6in / 22cm	8.4in / 21.5cm	9.9Lb / 4.4kg
	Deck Mount (300x300 adjustable)	1	13.4in / 34cm	13.4in / 34cm	4.3in / 11.5cm	15.4Lb / 7kg
	Table Clamp	1	7.8in / 20cm	5.1in / 13cm	5.1in / 13cm	1.63Lb / 0.74kg
	Ground Spike	1	21.2in / 54cm	4.3in / 11cm	3.5in / 9cm	1.67Lb / 0.76kg
	ACCESSORIES	Heavy Duty Zip Cover bag Small 1	Cover Bags and stick are usually packed with parasols			
Heavy Duty Zip Cover bag Small 2 (Long)		1.1Lb / 0.5kg				
Heavy Duty Zip Cover bag Medium		1.6Lb / 0.74kg				
Heavy Duty Zip Cover bag Large		1.7Lb / 0.8kg				

All measurements and weights (imperial and metric) are approximate and shown as decimals. Woodline reserves the rights to change the details of its products and packaging at any time. The above table is subject to change without prior notice and is to be used only as a guideline.

OEM OPTIONS

Have a order worth customizing? To set yourself apart or simply to fit your environmental needs customize your Safari parasol order from canopy to the structure, right down to the bases. Choose from a variety of functional and elegant OEM treatments and finishing touches and sizes. For instance the Safari range has many more sizes and pole diameter options specifically for the OEM customer such as the R27, R29 and S35 with 1.5in/48mm Pole diameter or the Rec2x3 size and others that are not offered as standard. For more OEM information please see chapter on OEM - page 92. .



Wood in different colour finishes

CENTER POLE PARASOL  
OEM BRANDING OPTIONS



OEM BRANDING & PRINTING OPTIONS

*Make the most of your parasols outdoor presence, by giving your brand its day in the sun, everyday.*

- PRINTING ON TOPSIDE OF CANOPY.**  
 The top of the Safari's outstretched canopy offers prime real estate for outdoor branding. Visible from a distance, from above, and even from the side with the Safari's Pole Tilt system, which creates more visible angles.
- PRINTING ON UNDERSIDE OF CANOPY.**  
 Whilst enjoying the shade of the Safari parasol the underside of the canopy is a great space to get your brands message across at close quarters.
- PRINTING ON COVER BAG**  
 Promote your brand outdoors even whilst your Safari canopy is safely stored.
- PRINTING ON ADDED VALANCE**  
 The vertical sides of a valance offer the perfect space to communicate your brand's message, directly in the line of sight and visible from a distance.

*For more information see section on OEM Branding - page 90.*



The Safari centre pole parasol around the pool of a resort on the banks of the Zambezi river.





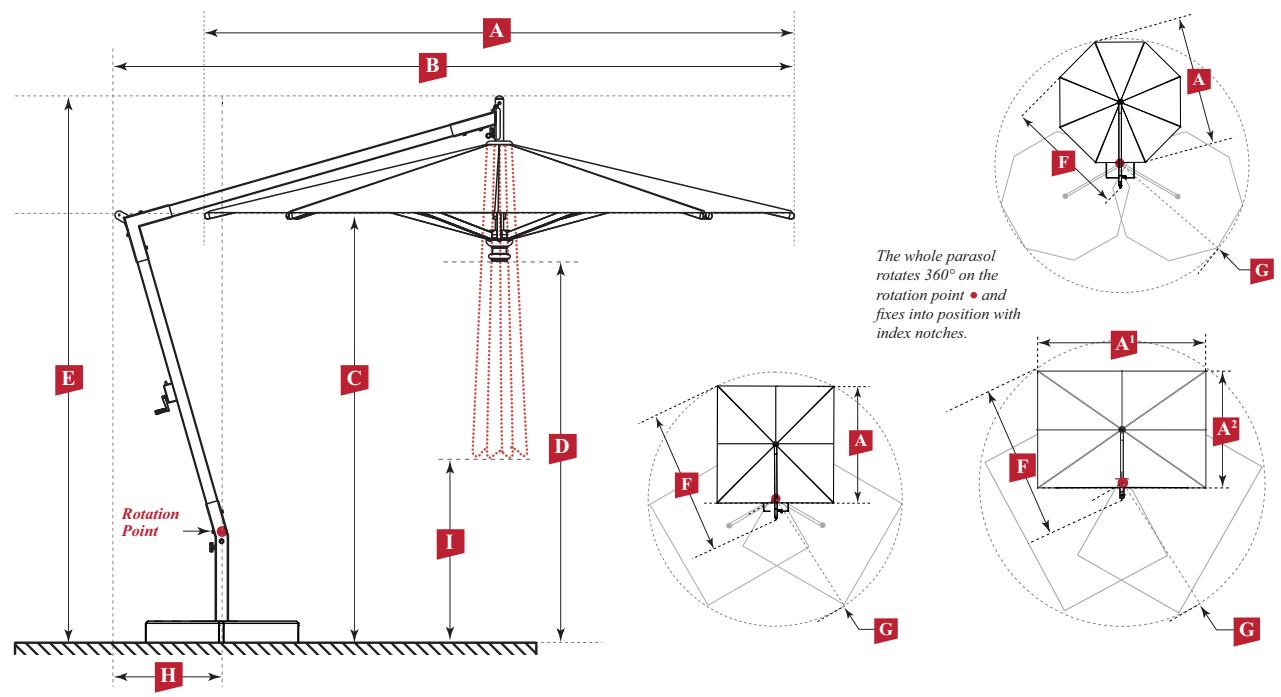
# PENDULUM RANGE

Strikingly bold the Pendulum knows how to make the right impression. Featuring 360° head turning rotation, effortless opening and closing with a smooth as butter winch system and a magnificent mix of premium quality stainless steel linkages, aluminium and eucalyptus post materials. The pendulum is poised at the pinnacle of cantilever parasols.

There's little that exudes splendour quite like the extravagant use of space, the Pendulum's massive cantilever design ensures an abundance there-of. Cool superbly shaded space.



CANTILEVER PARASOL SPECIFICATIONS



The whole parasol rotates 360° on the rotation point and fixes into position with index notches.

- A** Canopy size:  
Round – size is measured from tip to tip through the center  
Square – size is measured from tip to tip on one side  
Rectangular – size is measured from tip to tip on two sides
- B** Back of pulley to front of canopy
- C** Head clearance from arm tip
- D** Head clearance below hub
- E** Overall height

- F** Maximum distance between ends
- G\*** Rotation point to farthest arm tip
- H** Minimum clearance from rotation point
- I** Ground clearance when closed without cover bag
  - Center of Rotation point, 360 degrees

**G\*** This distance is measured from the pivot point to the farthest distance on the circle created as the parasol rotates 360 degrees. All vertical measurements are taken from the ground level, including height of free-standing QuattroCon Grande base (3.7in / 95mm height). All measurements (imperial and metric) are approximate and shown as decimals. To be used only as a guideline.

SHAPE	MODEL	PARASOL FRAME	CODE	A	B	C	D	E	F	G*	H	I
Round Octagonal - 8 Ribs -	R35	Aluminium & Stainless Steel (Standard)	17050	11.5ft	12.8ft	8.2ft	7.11ft	10.2ft	13.1ft	11.3ft	1.8ft	0.62ft
		Eucalyptus & Stainless Steel (Alternative)	17051	3.5m	3.92m	2.49m	2.17m	3.13m	4.0m	3.46m	0.55m	0.19m
	R40	Aluminium & Stainless Steel	17052	13.1ft	13.5ft	8.3ft	7.11ft	10.2ft	13.9ft	11.9ft	1.8ft	0.52ft
		Eucalyptus & Stainless Steel (Alternative)	17053	4.0m	4.12m	2.56m	2.17m	3.13m	4.24m	3.64m	0.55m	0.16m
Square - 8 Ribs -	S285	Aluminium & Stainless Steel (Standard)	17054	9.3ft	12.2ft	8.4ft	7.0ft	10.2ft	13.0ft	11.3ft	1.8ft	0.52ft
		Eucalyptus & Stainless Steel (Alternative)	17055	2.85m	3.73m	2.56m	2.16m	3.13m	3.95m	3.46m	0.55m	0.16m
	S35	Aluminium & Stainless Steel (Standard)	17056	11.5ft	13.2ft	8.2ft	7.0ft	10.2ft	14.3ft	12.8ft	1.8ft	0.39ft
		Eucalyptus & Stainless Steel (Alternative)	17057	3.5m	4.03m	2.50m	2.16m	3.13m	4.36m	3.90m	0.55m	0.12m
Rectangular - 8 Ribs -	2.5x3.5	Aluminium & Stainless Steel (Standard)	17058	9.3 x 11.6ft	12.2ft	8.4ft	7.0ft	10.2ft	13.0ft	11.3ft	1.8ft	2.0ft
		Eucalyptus & Stainless Steel (Alternative)	17059	2.5 x 3.5m	3.59m	2.41m	2.18m	3.13m	3.98m	3.50m	0.55m	0.62m
	3x4	Aluminium & Stainless Steel (Standard)	17060	11.5 x 13.1ft	13.2ft	8.2ft	7.0ft	10.2ft	14.3ft	12.8ft	1.8ft	0.39ft
		Eucalyptus & Stainless Steel (Alternative)	17061	3 x 4m	4.03m	2.50m	2.16m	3.13m	4.36m	3.90m	0.55m	0.12m

CANTILEVER PARASOL STRUCTURAL OPTIONS

Offset Cantilever (Standard)	Vertical Double Cantilever (Variant)	Wall Mount Bracket (Variant)
Aluminium Post & Stainless Steel Linkage (Standard) 17062	Aluminium Post & Stainless Steel Linkage 17064	Aluminium Post & Stainless Steel Linkage 17065
Eucalyptus Post & Stainless Steel Linkage (Alternative) 17063		

PENDULUM STRUCTURE OPTIONS

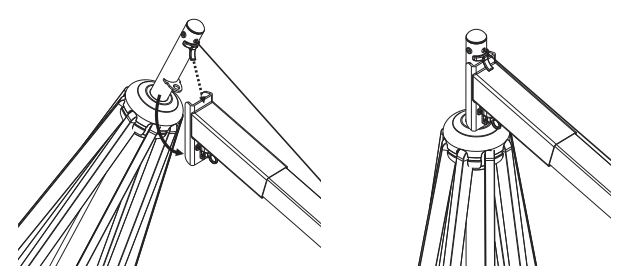
The Offset Cantilever is the Pendulum's standard structural set-up. Alternatively it is also available as Vertical Double Cantilever and Wall Mounted structural options. As standard the post are made from premium quality aluminium and the linkages are made from marine grade stainless steel which is glass bead blasted for long lasting durability and an alluring matt sheen.

PENDULUM WALL MOUNTING STRUCTURE

There's nothing small about the Pendulum range. Yet if the area that you want shaded is limited but has a wall on any side then you can free up that valuable floor space by mounting the Pendulum against a wall.

Round Shape (R35, R40)	Square Shape (S285, S35)	Rectangular Shape (2.5x3.5, 3x4)
When not in use the Pendulum wall mounted swing arm folds neatly away against the wall.		

PENDULUM PATENTED CANOPY CLIP MECHANISM



The Pendulum's patented canopy clip mechanism has been designed to facilitate the quick and simple attachment and removal of the entire canopy assembly.

The canopy is attached with a stay that hooks onto the frame structure and simply swung and clipped into place. This system is extremely strong and can endure the forces that canopies of these sizes are sometimes subjected to. It remains one of the quickest and easiest attachment methods.

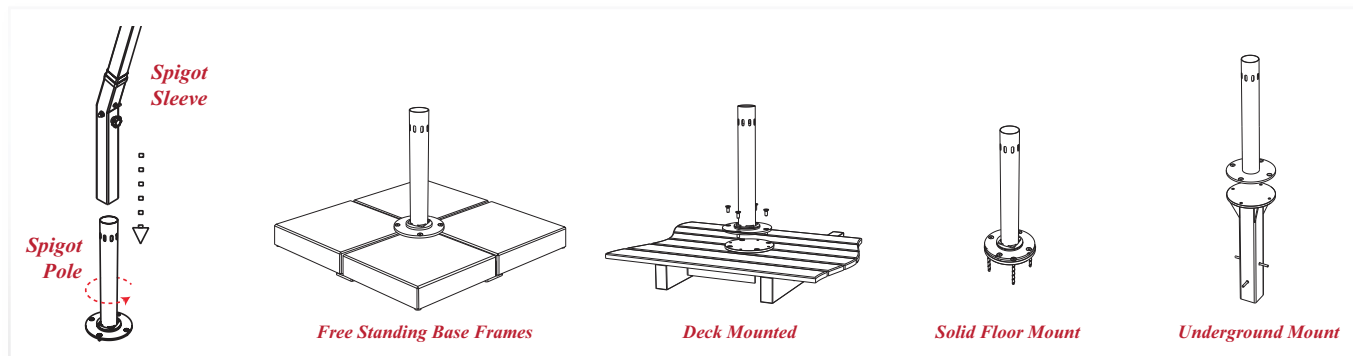




CANTILEVER PARASOL  
BASE & MOUNTING OPTIONS

BASE OPTIONS

To facilitate 360° rotation the Pendulum's Spigot Sleeve slips over its Spigot Pole, and is kept in place with index notches. The Pendulum Spigot Pole can be mounted to various base systems or surfaces at ground level by the following methods.



Spigot mounting systems enables 360° rotation



Pendulum QuattroCon Grande Base with Pendulum Spigot Sleeve.



Movable Frame for QuattroCon Grande



Double Paver Fame Kit (Pavers not included)



Double Stack SQ. Metal Plate



Deck Mount Pendulum Spigot - Round



Solid Floor Mount



Underground Mount - Round

SUGGESTED FREE STANDING BASE SYSTEMS		WEIGHT	CODE	SUGGESTED MOUNTING SYSTEMS		CODE
	QuattroCon Grande Slab Base The Spigot Pole (included with the structure) is bolted to 4 concrete slabs (included in kit). The slabs are housed on a free standing metal frame with a corner height adjustable slider.	173kg	16042		Deck-Mount (450x300) The Spigot Pole (included with the structure) is mounted to wooden decks with the mounting plate and a Universal Below Deck Bracket which is adjusted to fit between the decks supporting beams.	16127
	Movable QuattroCon Grande Base The Movable frame with lockable wheels is a mobile option to house the QuattroCon Grande Slabs (included with kit). The slabs are fitted with a base plate to which the Pendulum Spigot Pole is bolted.	203kg	16044		Solid Floor Mount The Spigot Pole (included with the structure) is mounted to a Universal Mount Plate which is secured to solid concrete flooring (at least 100mm thick at ≥30 MPa) with anchor bolts.	16125
	Double Paver Frame Kit The Spigot Pole (included with structure) is mounted to a frame fitting 8 standard sized paver slabs (40.6mm², 30kg min weight each) purchase locally (included on special request) to save shipping costs	NA	16047		Underground Mount - Round The Spigot Pole (included with the structure) is mounted to the ground where the surface is non solid gravel or earth. Mount to be Concreted into the earth.	16121
	Double Stack SQ. Metal Plate (900mm²) The Spigot Pole (included with structure) is mounted to two stacked square metal plates. The plates are fitted with height adjustable sliders on each corner.	180kg	16063		Wall Mount Structure With the stainless steel Wall Mount Bracket the Pendulum Wall Mount Structure is able to be mounted onto a solid brick and mortar wall.	17065

For more information and further anchoring options please see chapter on bases - page 80

CANTILEVER PARASOL  
CANOPY FABRIC OPTIONS, ATTACHMENT METHOD & ACCESSORIES



Sunbrella, Primo & Syntec outdoor fabrics

FABRIC OPTIONS

Choose from stylish arrays of classic, modern & fashionable fabrics that are hand picked to endure outdoor living. Available in colours and patterns to compliment your style and fit any environment.

FABRIC TYPE	R35	R40	S285	S35	25x35	3x4
Sunbrella 100% Sunbrella solution dyed colour fast fabric is UV, water, mould & stain resistant. A real world leader in outdoor fabrics.	16581	08087	16583	10025	16585	16586
Primo Primo fabric is a range of customized fabrics specifically made for shade	09743	08491	16589	16590	16591	16592
Syntec Syntec fabric is completely water, soil and oil repellent.	16593	16594	16595	16596	16597	16598

For more info see chapter on Fabrics - page 98

CANOPY ATTACHMENT METHOD



The canopy fabric comes fitted to its frame by stainless steel Eyelets making it a breeze should you wish to remove the fabric for cleaning or seasonal changes.

Eyelet - Solid Stainless Steel (A4 - #316) Rim Grommet with self-interlocking spur washer. (Standard outside USA)

OEM Canopy attachment options include leather or self fabric pockets and the innovative Loxx system. For more information see chapter on OEM - page 92.

ACCESSORIES

Prolong the life of the canopy fabric by protecting it with a cover bag and / or hanging it on a storage bracket when not in use.

COVER BAGS	SUNBRELLA	PRIMO	PVC	STORAGE BRACKET	16901
Heavy Duty Zip Bag Small 2 - Long (R35)	16960	16961	12760		The Storage Bracket is mounted to a wall and used to hang the entire canopy assembly on when not in use. The canopy assembly can easily be detached, and reattached to the parasol structure.
Heavy Duty Zip Bag Medium (R40, S285, R25x35)	16964	16965	16967		
Heavy Duty Zip Bag Large Long (S35, R3x4)	16968	16969	16971		





CANTILEVER PARASOL  
PACKAGING

PACKAGING DIMENSIONS & WEIGHT

The Pendulum Cantilever Parasol Range is packed in three separate boxes. 1 for the canopy assembly with fabric pre attached, 1 for the frame structure, and 1 for the fittings. Bases & Accessories are packed separately.

	CARTON PACKAGING	N° of BOXES	LENGTH	WIDTH	HEIGHT	TOTAL WEIGHT
STRUCTURE	Pendulum Canopy Fabric & Structure (S285, R35, R40)	1	105.9in / 269cm	10.6in / 27cm	10.6in / 27cm	37.4 - 50Lb / 17.9 - 22.7kg
	Pendulum Canopy Fabric & Structure (S35, 2.5x3.5, 3x4)	1	112in / 283cm	10.2 in / 26cm	10.2 in / 26cm	42.7 - 49.4Lb / 19.36 - 22.4kg
	Pendulum Offset Cantilever Structure Poles	1	79.5in / 218,3cm	10.6in / 27,3cm	4.73in / 12,7cm	41.9Lb / 19kg
	Pendulum Structural Fittings & Spigot	1	12.6in / 80,6cm	15.3in / 39cm	8.6in / 22cm	30.5Lb / 13,85kg
	Pendulum Double Cantilever Structure	1	79.5in / 218,3cm	10.6in / 27,3cm	4.1in / 10.5cm	48.5Lb / 22kg
	Pendulum Double Cantilever Fittings	1	28.2in / 71.8cm	16.5in / 42cm	3.5in / 9cm	19.8Lb / 9kg
	Pendulum Wall Mount Structure	1	44.8in / 114cm	9.4in / 24cm	3.9in / 10cm	11.6Lb / 5.3kg
	Pendulum Wall Mount Bracket	1	17.7in / 45cm	12.4 in / 31.5cm	4.7in / 12cm	48.5Lb / 18kg
Pendulum Spigot	1	121.2in / 55cm	8.6in / 22cm	8.6in / 22cm	8.8Lb / 4.0kg	
BASES	QuattroCon Grande Slabs	4	18.7in / 47.5cm	18.7in / 47.5cm	4.1in / 10.5cm	331.8Lb / 150.5kg
	QuattroCon Grande Frame	1	36.8in / 93.5cm	9.4in / 24cm	5.4in / 13.7cm	28.8Lb / 13.1kg
	Movable Frame for QuattroCon Grande Slab Base	1	45.2in / 115cm	45.2in / 115cm	2.5in / 6.5cm	66.1Lb / 30kg
	Double Paver Frame Kit	1	36in / 91.5cm	36in / 91.5cm	3.3in / 8.5cm	48.9Lb / 22.2kg
	Double Stack SQ. Metal Plate (900mm <sup>2</sup> )	2	38.5in / 98cm	38.5in / 98cm	6.5in / 16.5cm (total)	518Lb / 235kg (total)
	Deck Mount - (450x300 Adjustable)	1	18.5in / 47cm	13.4in / 34cm	13.4in / 12cm	31.9Lb / 14.5kg
	Solid Floor Mount	1	9.8in / 25cm	8in / 20.5cm	8in / 20.5cm	6.4Lb / 2.9kg
Underground Mount - Round	1	31.8in / 81cm	8.2in / 21cm	8.2in / 21cm	19.1Lb / 8.7kg	
ACCESSORIES	Heavy Duty Zip Cover bag Medium	Cover Bags packed with Parasols				2.2Lb / 0.9kg
	Heavy Duty Zip Cover bag Large & Stick					2.2Lb / 1kg
	Pendulum Storage Bracket	1	17.7in / 45cm	16.9in / 43cm	7.2in / 18.5cm	14.3Lb / 6.5kg

All measurements and weights (imperial and metric) are approximate and shown as decimals. Woodline reserves the rights to change the details of its products and packaging at any time. The above table is to be used only as a guideline.



CANTILEVER PARASOL  
OEM REFERENCE



OEM OPTIONS

Have a order worth customizing? To set yourself apart or simply to fit your environmental needs customize your Pendulum parasol order from canopy, to structure, right down to the bases with various functional, and elegant OEM treatments, touches and branding. For more OEM information please see chapter on OEM - page 92.



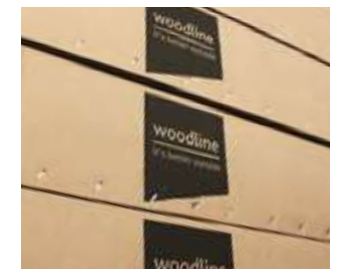
Stainless steel component in various grades



Various finishes of components



Various branding options



Various packaging options

OEM BRANDING & PRINTING OPTIONS

Make the most of your parasols outdoor presence, by giving your brand its day in the sun, everyday.

- PRINTING ON TOPSIDE OF CANOPY.**  
 The top of the Pendulum's outstretched canopy offers prime real estate for outdoor branding. Visible from a distance or from above.
  - PRINTING ON UNDERSIDE OF CANOPY.**  
 Whilst enjoying the cool shade of the Pendulum parasol the underside of the canopy is a great space to get your brands message across at close quarters.
  - PRINTING ON COVER BAG**  
 Promote your brand outdoors even whilst your Pendulum canopy is safely stored.
  - ADD VALANCE TO CANVAS**  
 There's something special about a valance on a parasol. More than just its stylistic facade draping daintily down from the canopy edge, it has a certain presence that demarcates an area and makes the parasol feel bigger.
  - PRINTING ON ADDED VALANCE**  
 The vertical sides of a valance offer the perfect space to communicate your brand's message, directly in the line of sight and visible from a distance.
- For more information see section on OEM Branding - page 90.





# PAPILLON RANGE

At heart, the Papillon is the absolute socialite. Its dual post framework invites views and conversations to go on, unobstructed, in glorious shade and shelter, day and night.

Fabric walls can also be attached directly to the frame and awning to provide a privacy and shelter from the wind.

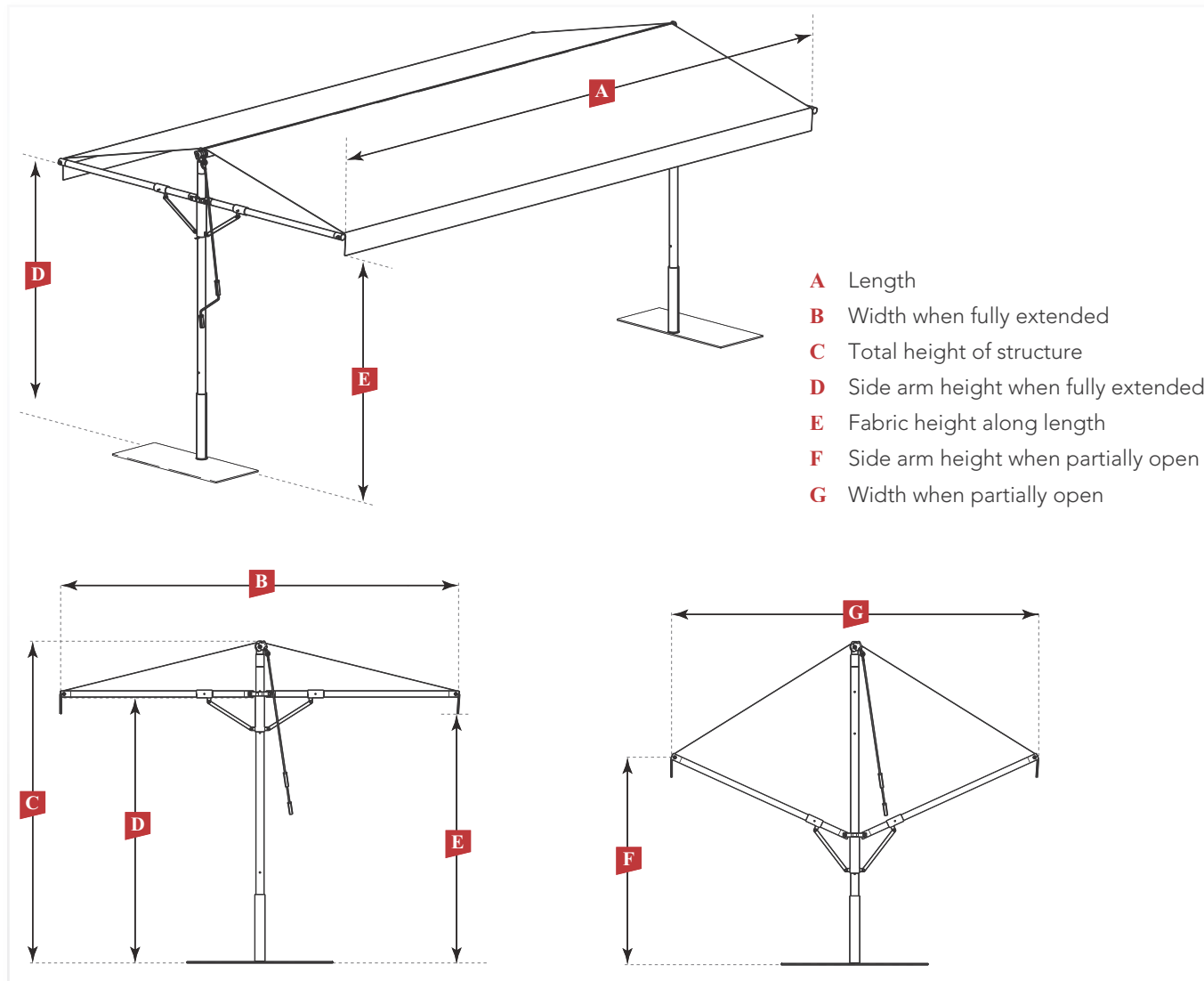
This unique range of shade can not help but bring an air of grandeur to its surrounds. It stands alone as the largest of all Woodline shade solutions and yet this extraordinary shade can easily be extended further by articulating two or more Papillon structures together.







DUAL POLE PARASOL SPECIFICATIONS



- A** Length
- B** Width when fully extended
- C** Total height of structure
- D** Side arm height when fully extended
- E** Fabric height along length
- F** Side arm height when partially open
- G** Width when partially open

All vertical measurements are taken from the ground level, including free-standing Rectangular Metal Plate Base (± 1.37in 35mm height)  
 All measurements (imperial and metric) are approximate and shown as decimals. To be used only as a guideline.

MODEL	VERTICAL STRUCTURAL COMPONENTS	CODE	A	B	C	D	E	F	G
3 X 4	Aluminium & Stainless Steel (Standard)	17070							
	Eucalyptus & Stainless Steel (Alternative)	17071	13.1ft	9.8ft	8.0ft	6.5ft	6.0ft	5.4ft	8.7ft
	Stainless Steel entirely (Alternative)	17072	4.0m	3.0m	2.45m	2.0m	1.85m	1.65m	2.68m
3 X 5	Aluminium & Stainless Steel (Standard)	17073							
	Eucalyptus & Stainless Steel (Alternative)	17074	16.4ft	9.8ft	8.0ft	6.5ft	6.0ft	5.4ft	8.7ft
	Stainless Steel entirely (Alternative)	17075	5.0m	3.0m	2.45m	1.97m	1.85m	1.65m	2.68m

Special lengths available from 2m up to 5m for OEM orders, refer to OEM chapter - page 92.

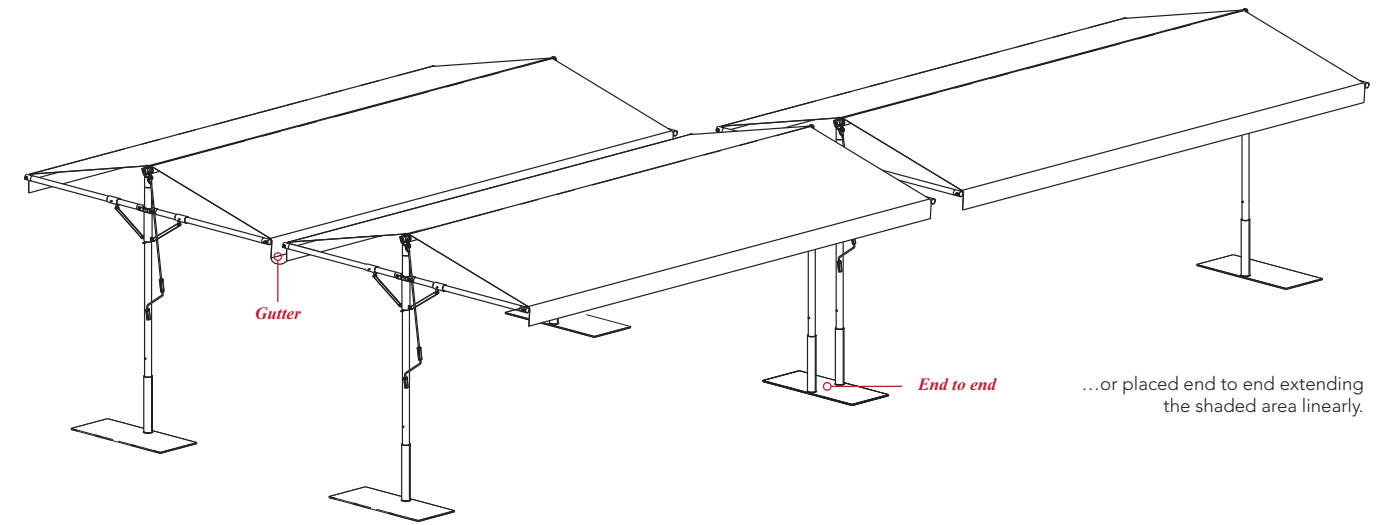


SIDE ARM STRUCTURAL WIND STABILIZERS

Wind Stabilizers add stability to the side arms especially when updrafts are experienced. Stabilizers are standard attributes of the Eucalyptus & Stainless Steel as well as the entirely Stainless Steel Papillon structures. Available on the Aluminium & Stainless Steel structure as an OEM order option.

DUAL POLE PARASOL JOINING & BASE OPTIONS

Two or more Papillon shades can be joined together, either by side on side with the use of an additional gutter to create one continuous awning...



Rectangular Metal Plate Base



Double Stack Rec. Metal Plate Base



RecCon Slab Base



Deck Mount



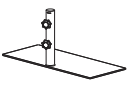
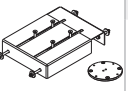
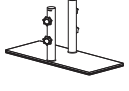
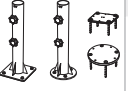
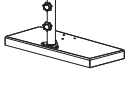

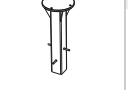
Deluxe Bolt-on Pole Stand - Square / Round



Deluxe In-Ground Bayonet Pole Stand



Underground Mount - Round

SUGGESTED FREE STANDING BASE SYSTEMS	WEIGHT	CODE	SUGGESTED MOUNTING SYSTEMS	CODE
 <p>Rectangular Metal Plate Base Rectangular Metal Plate Base to which a 2.7in / 70mm stainless steel tube is mounted. Can be bolted to the floor for extra stability.</p>	40kg	16064	 <p>Deck Mount - (450x300 adjustable) Consists of a 450x300x85 Universal Below Deck Bracket and a square or round Universal Mount Plate to which a 2.7in / 70 mm Deluxe Pole Tube is mounted.</p>	16127
 <p>Double Stack Rec. Metal Plate Double Stack Rec. Metal Plate consists of two stacked rectangular metal plates. For end on end arrangement of two Papillon shades the plates are able to mount two 70mm metal Pole Stands. Can be bolted to the floor for extra stability</p>	80kg	16065	 <p>Deluxe Bolt-on Pole Stand - Square (S) / Round (R) S) 16100 The square or round Deluxe Bolt-on Stand is mounted directly onto concrete floors with the use of a Base Plate &amp; Universal Mount Plate. Two hand wheels tighten a shoehorn against the pole to ensure the perfect fit.</p>	R) 16101
 <p>RecCon Slab Base This rectangular shaped, reinforced Concrete base is a specifically designed for the Papillon Shade.</p>	90kg	16039	 <p>Deluxe In-Ground Bayonet Pole Stand The Deluxe In-Ground Bayonet Pole Stand is concreted into the ground and secures the Papillon's pole into the ground. Two hand wheels tighten a long shoehorn against the pole to ensure the perfect fit. A cap covers the lower tubes hole when not in use.</p>	16117
			 <p>Underground Mount - Round (R) This permanent stand is concreted into the earth and provides a mounting point for a square or round Deluxe Bolt-on Stand (Ordered separately).</p>	16121

For more information and further anchoring options please see chapter on bases - page 80





DUAL POLE PARASOL  
CANOPY FABRIC & ACCESSORY OPTIONS



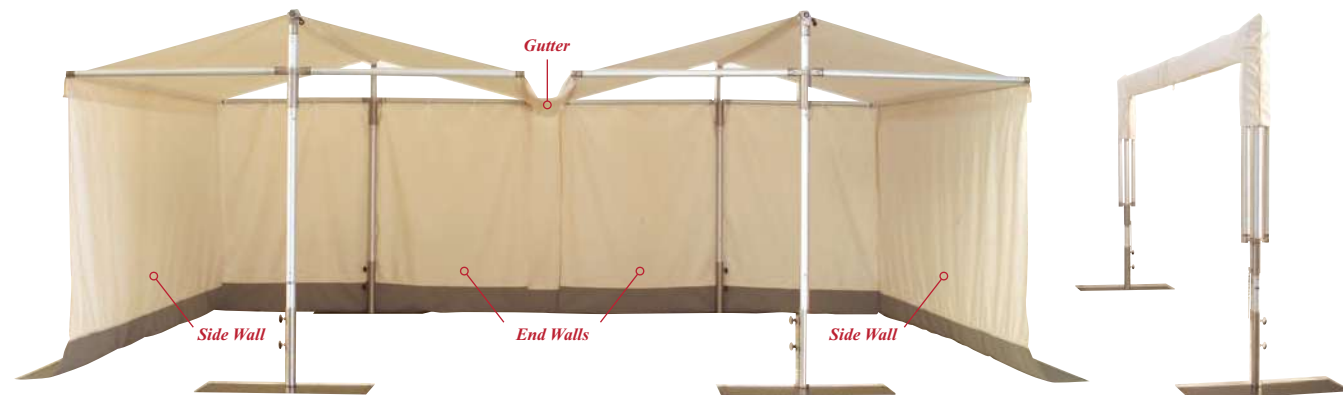
Sunbrella, Primo & Syntec outdoor fabrics

CANOPY & FABRIC ACCESSORIES

The Papillon canopy comes installed with-in the roof structure. For all day shade, shelter from the wind and rain, or for more privacy additional fabric side and end walls can easily be attached. Gutters can also be fastened to the canopy to join two or more Papillon canopies together creating a single expansive awning.

FABRIC	Sunbrella (Solution Dyed)		Primo		Syntec	
	100% Sunbrella solution dyed colour fast fabric is UV, water, mould & stain resistant. A real world leader in outdoor fabrics.		Primo fabric is a range of customized fabrics specifically made for shade		Syntec outdoor fabrics are completely water, soil and oil repellent.	
CANOPY & FABRIC ACCESSORIES						
MODEL	3 X 4	3 x 5	3 X 4	3 x 5	3 X 4	3 x 5
CANOPY	16599	16600	16601	16602	16603	16604
SIDEWALL	9546	16911	08013	16913	15011	16915
ENDWALL (2 per set)	09549		16921		16922	
GUTTER	09547	09548	16932	16933	16934	16935
COVER BAG	15012	08560	08384	08385	16974	16975

**New** - Sidewalls attached with zippers. For more information refer to Accessories chapter - page 89.



DUAL POLE PARASOL  
PACKAGING & OEM REFERENCE

PACKAGING

Ensuring that your Papillon dual pole parasol gets to you in the same immaculate state that it left us. The Papillon comes in two carton packages. One hollow core for the canopy and the other a box for the supporting structure. Bases and Accessories packed separately.

	CARTON PACKAGING	N°of BOXES	LENGTH	WIDTH	HEIGHT	TOTAL WEIGHT
STRUCTURE	Papillon Canopy Fabric & Roof (3 x 4)	1	158in / 402cm	7in / 18cm	7in / 18cm	70.5Lb / 32,4kg
	Papillon Canopy Fabric & Roof (3 x 5)	1	197in / 502cm	7in / 18cm	7in / 18cm	79.3Lb / 36,5kg
	Papillon Dual Pole Structure	1	98.4in / 250cm	15.7in / 40cm	8.2in / 21cm	55 - 77Lb / 25 - 35kg
BASES	Rectangular Metal Plate (Single)	1	46.4in / 118cm	20.8in / 53cm	4.1in / 10.5cm	89.3Lb / 40.5kg
	Double Stack Rec. Metal Plate	1	43.9in / 111.5cm	18.3in / 46.5cm	1.5in / 40cm	178.5Lb / 81kg
	RecCon Slab Base	1	36.2in / 92cm	17.3in / 44cm	5.9in / 15cm	200Lb / 91kg
	Deck Mount (450x300 adjustable)	1	18.5in / 47cm	13.4in / 34cm	13.4in / 12cm	31.9Lb / 14.5kg
	Deluxe Bolt-on Pole Stand (Large)	1	22.4in / 57cm	8.6in / 22cm	8.4in / 21.5cm	9.9Lb / 4.4kg
	Deluxe In-Ground Bayonet Pole Stand (Large)	1	41.3in / 105cm	5.3in / 13.5cm	3.7in / 9.5cm	9.9Lb / 4.5kg
	Underground Mount - Round	1	21.6in / 55cm	8.6in / 22cm	8.6in / 22cm	12.5Lb / 5.7kg
ACCESSORIES	Side Wall	1	17.7in / 45cm	17.3in / 44cm	3.5in / 9cm	9.7Lb / 4.4kg
	End Wall	1	17.7in / 45cm	17.3in / 44cm	3.5in / 9cm	3.9Lb / 1.78kg
	Gutter	1	Packet with Canopy			3Lb / 1.38kg
	Cover Bag	1	Packet with Structure			3.9Lb / 1.8kg

All measurements and weights (imperial and metric) are approximate and shown as decimals. Woodline reserves the rights to change the details of its products and packaging at any time. The above table is to be used only as a guideline.



OEM OPTIONS

Have a order worth customizing? To set yourself apart or simply to fit your environmental needs customize your Papillon shade order from canopy size (lengths anywhere from 2-5m), to structure components, right down to the bases with various functional, and elegant OEM treatments and touches. For more OEM information please see chapter on OEM - page 92.





OEM BRANDING & PRINTING OPTIONS

*Make the most of your Papillon's outdoor presence, by giving your brand its day in the sun, everyday.*

- **PRINTING ON TOPSIDE OF CANOPY.**  
The top of the Papillon's outstretched roof offers prime real estate for outdoor branding. Visible from a distance, from above, and even from the side with the Papillon's partially opened position, which creates more visible angles.
- **PRINTING ON VALANCE**  
The vertical sides of a valance offer the perfect space to communicate your brand's message, directly in the line of sight and visible from a distance.
- **PRINTING ON UNDERSIDE OF CANOPY.**  
Whilst enjoying the cool shade of the Papillon parasol the underside of the canopy is a great space to get your brands message across at close quarters.
- **PRINTING ON COVER BAG**  
Promote your brand outdoors even when your Papillon canopy is safely stored.

*For more information see section on OEM Branding - page 90.*



The Papillon dual pole parasol.







# BRAVURA RANGE

The Bravura range is a brilliant contemporary take on the classic market parasol, combining the beauty and strength of mixed medium components.

Sleek anodized aluminium frame is complimented by warm eucalyptus hubs bringing

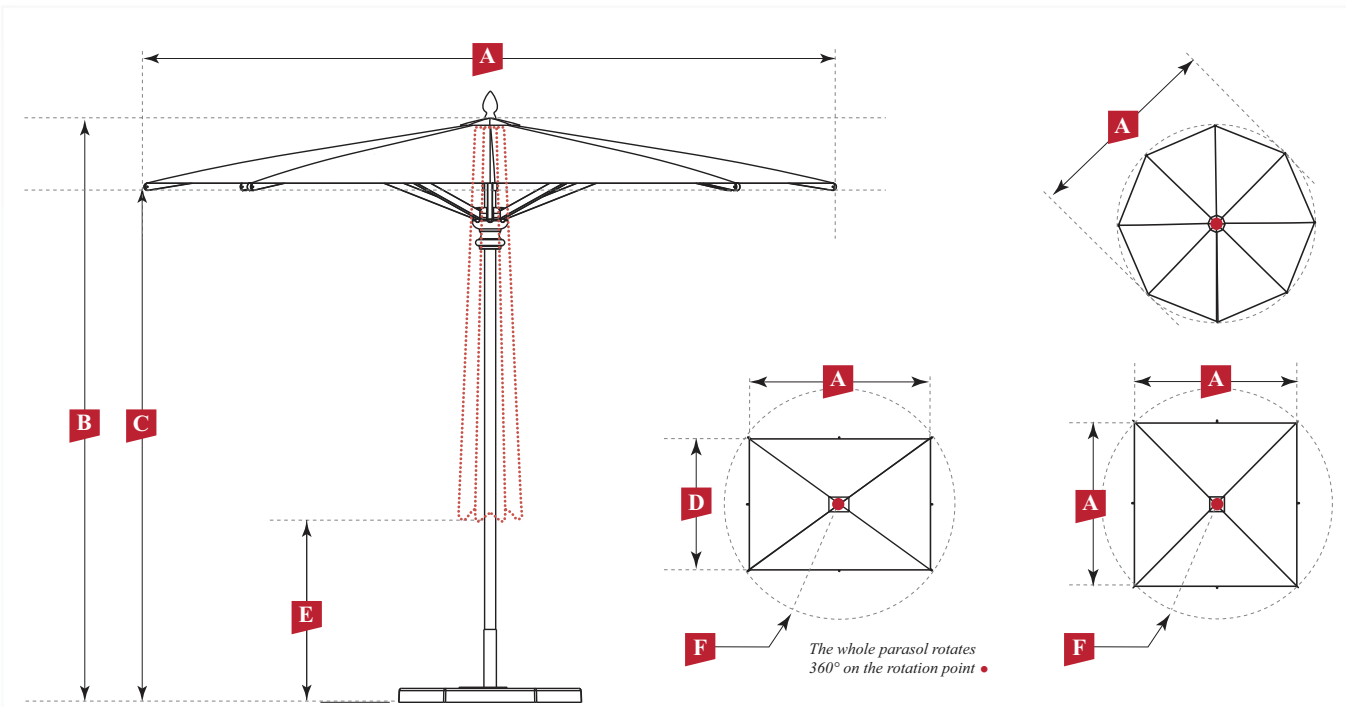
together the best of two worlds in a feat of engineered elegance.

The double pulley system enables long lasting, smooth operation of the canopy, and stainless steel eyelets allow for easy fabric removal or updates.





CENTER POLE PARASOL SPECIFICATIONS



**A** Canopy size:  
 Round – size is measured from tip to tip through the center  
 Square – size is measured from tip to tip on one side  
 Rectangle – size is measured from tip to tip on long side

**B** Total height of structure without finial

**C** Head clearance from canopy

**D** Minimum width of the rectangular canopy

**E** Clearance when closed

**F\*** Circumference clearance for straight pole  
 • Rotation point

**F** This distance is measured from the pivot point to the farthest distance from this point on the parasol. The distance defines the radius of the circle created as the parasol rotates 360 degrees.

All vertical measurements are taken from the ground level, including free-standing base (130mm height).  
 All measurements (imperial and metric) are approximate and shown as decimals. To be used only as a guideline.  
 ■ Indicates canopy sizes which are able to close above table tops.

SHAPE & POLE Ø		MODEL	CODE	A	B	C	D	E	F*	
ROUND	Hexagonal - 6 Ribs - 1.5in / 38mm	R27	17080	8.8ft 2.7m	8.3ft 2.53m	6.8ft 2.08m	NA	3.8ft 1.18m	4.4ft 1.35m	
		R29	17081	9.5ft 2.9m	8.3ft 2.53m	6.4ft 1.96m	NA	3.4ft 1.05m	4.7ft 1.45m	
	1.8in / 48mm Pole Ø	R30	17082	9.8ft 3.0m	8.3ft 2.53m	7.2ft 2.21m	NA	3.2ft 0.99m	4.9ft 1.5m	
		R35	17083	11.4ft 3.5m	8.3ft 2.53m	7.3ft 2.25m	NA	2.5ft 0.78m	5.7ft 1.75m	
		R40	17084	13.1ft 4.0m	8.3ft 2.53m	7.1ft 2.17m	NA	1.7ft 0.53m	6.5ft 2.0m	
		R40	17084	13.1ft 4.0m	8.3ft 2.53m	7.1ft 2.17m	NA	1.7ft 0.53m	6.5ft 2.0m	
	2.36in / 60mm Pole Ø	R30	17085	9.8ft 3.0m	8.3ft 2.53m	7.2ft 2.21m	NA	3.2ft 0.99m	4.9ft 1.5m	
		R35	17086	11.4ft 3.5m	8.3ft 2.53m	7.3ft 2.25m	NA	2.5ft 0.78m	5.7ft 1.75m	
		R40	17087	13.1ft 4.0m	9.2ft 2.83m	7.1ft 2.17m	NA	2.4ft 0.75m	6.2ft 1.9m	
		R50	17088	16.4ft 5.0m	9.2ft 2.83m	7.6ft 2.32m	NA	0.8ft 0.26m	8.2ft 2.5m	
	SQUARE	Square - 4 Ribs - 1.5in / 38mm	S20	17089	6.5ft 2.0m	8.3ft 2.53m	6.4ft 1.95m	NA	3.5ft 1.08m	4.6ft 1.4m
			S22	17090	7.2ft 2.2m	8.3ft 2.53m	6.5ft 2.0m	NA	2.9ft 0.9m	8.0ft 2.4m
S25			17091	8.2ft 2.5m	8.3ft 2.53m	6.8ft 2.09m	NA	2.5ft 0.78m	5.5ft 1.68m	

CENTER POLE PARASOL SPECIFICATIONS CONTINUED

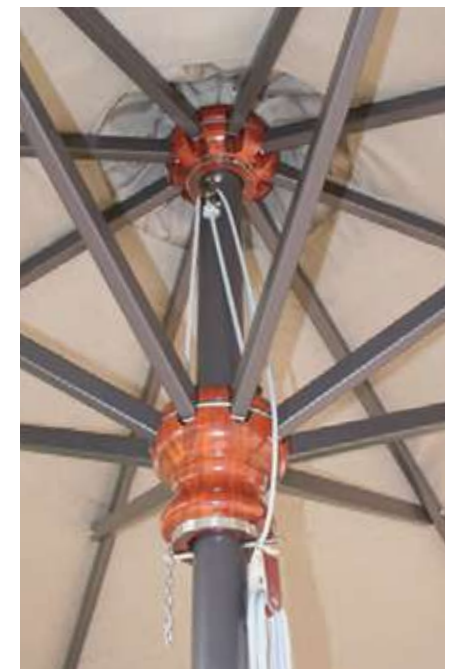
SHAPE & POLE Ø		MODEL	CODE	A	B	C	D	E	F*
SQUARE	Square - 8 Ribs - 1.8in / 48mm Pole Ø	S25	17092	7.2ft 2.2m	8.3ft 2.53m	6.8ft 2.09m	NA	2.5ft 0.78m	5.5ft 1.68m
		S29	17093	9.5ft 2.9m	8.3ft 2.53m	6.5ft 1.98m	NA	1.5ft 0.46m	6.7ft 2.05m
		S30	17094	9.5ft 3.0m	8.3ft 2.53m	6.5ft 1.98m	NA	1.5ft 0.46m	6.7ft 2.05m
	2.36in / 60mm Pole Ø	S285	17095	2.85m	9.2ft 2.83m	7.8ft 2.40m	NA	3.2ft 0.99m	6.5ft 2.0m
		S30	17096	9.5ft 3.0m	8.76ft 2.67m	7.3ft 2.23m	NA	1.7ft 0.53m	6.9ft 2.11m
		S35	17097	11.4ft 3.5m	9.2ft 2.83m	7.0ft 2.15m	NA	0.7ft 0.23m	8.1ft 2.47m
RECTANGLE	1.8in / 48mm Ø	R22 x 3	17099	9.8ft 3.0m	8.76ft 2.67m	7.4ft 2.26	7.2ft 2.2m	2.6ft 0.81m	6.1ft 1.86m
		R22 x 33	17100	10.8ft 3.3m	8.7ft 2.67m	7.0ft 2.14m	7.4ft 2.28m	1.9ft 0.58m	6.5ft 2.0m
		R25 x 35	17101	11.4ft 3.5m	8.7ft 2.67m	6.1ft 1.87m	8.2ft 2.5m	1.9ft 0.58m	8ft 2.46m
	2.36in / 60mm Pole Ø	R22 x 3	17102	9.8ft 3.0m	8.7ft 2.67m	7.4ft 2.26	7.2ft 2.2m	2.4ft 0.75m	6.1ft 1.86m
		R22 x 33	17103	10.8ft 3.3m	8.7ft 2.67m	7.0ft 2.14m	7.4ft 2.28m	1.9ft 0.58m	6.5ft 2.0m
		R25 x 35	17104	11.4ft 3.5m	8.7ft 2.67m	6.1ft 1.87m	8.2ft 2.5m	1.3ft 0.41m	8ft 2.46m
		R3 x 4	17105	13.1ft 4.0m	9.2ft 2.83m	7.8ft 2.40m	9.5ft 3.0m	1.0ft 0.30m	8.2ft 2.5m
		R32 x 43	17106	4.3m	9.2ft 2.83m	7.0ft 2.14m	10.4ft 3.18m	0.4ft 0.14m	9.0ft 2.76m



Bravura with double pulleys



Classic Bravura with natural anodized centre pole and ribs



Bravura with OEM option powder coated ribs





CENTER POLE PARASOL  
BASE OPTIONS



HexCon Slab 1PS Kit      HexCon Slab KDS Kit      Paver Frame Base



HAFCon Slab Base with 60mm stainless steel pole sleeve      Aluminium Shell Kit with polished stainless steel pole sleeve.      Round Metal Plate with polished stainless steel pole sleeve

SUGGESTED FREE STANDING BASE SYSTEMS	WEIGHT	SIZE	RECOMMENDED FOR	POLE Ø	STAND Ø	CODE
<p><b>HexCon Slab 1PS Base Kit</b></p> <p>This classic hexagonal shaped, reinforced concrete base fits any of the Safari pole diameters with various combinations of weights and Pole Stand tube sizes available for various wind exposures.</p>	70.5Lb 32kg	Small	Light - Moderate Winds	1.5in 38mm	1.8in 48mm	16004
	121Lb 55kg	Medium	Moderate - Strong Winds	1.8in 48mm	2.2in 57mm	16007
	165Lb 75kg	Large	Strong - High Winds	2.3in 60mm	2.7in 70mm	16011
<p><b>HexCon Slab KDS Base Kit</b></p> <p>This classic hexagonal shaped, reinforced concrete base features a knock down stainless steel Pole Tube. It is easily assembled from above. Available in two weights for light to moderate winds with two recommended tube sizes.</p>	44Lb 20kg	Small	Light - Moderate Winds	1.5in 38mm	1.8in 48mm	16000
	66.1Lb 30kg	Medium		1.8in 48mm	2.2in 57mm	16003
<p><b>HAFCon Base</b></p> <p>The Height Adjustable Cement Base system consists of a metal frame with 4 height adjustable sliders, 4 reinforced cement slabs with inset carry handles and a base plate to which the Deluxe Bolt-on Pole Stand that fits the is 60mm Safari pole.</p>	300Lb 136kg	35.4in <sup>2</sup> 900mm <sup>2</sup>	Strong - High Winds	2.3in 60mm	2.7in 70mm	16040
<p><b>Paver Frame Base- Single (Available with lockable wheels)</b></p> <p>Consists of a metal frame which houses a single layer of 4 standard sized 40.6mm<sup>2</sup> paver slabs to be purchased separately from a local hardware store to save on shipping costs or included on special requested. Fits any of the Safari pole dimensions.</p>	(Frame) 48.2Lb 21.9kg	35.4in <sup>2</sup> 900mm <sup>2</sup>	Medium - Strong	2.3in 60mm	2.7in 70mm	16045
						16046 (Incl Wheels)
<p><b>Aluminium Shell Kit</b></p> <p>This inventive base kit consists of an Aluminium shell, reinforcing grid and fittings to create a concrete (separately purchased) filled base. Great saver on weight allocated shipping costs.</p>	Filled Weight 160LB 72.5kg	23.6in <sup>2</sup> 600mm <sup>2</sup>	Moderate - Strong Winds	1.8in 48mm	2.2in 57mm	16048
	Filled Weight 250LB 113.4kg	31.5in <sup>2</sup> 800mm <sup>2</sup>		2.3in 60mm	2.7in 70mm	16049
<p><b>Round Metal Plate Base</b></p> <p>Round Metal Plate Base with metal Pole Tube stand fits any of the Safari pole dimensions. Stand to be chosen separately. Available in various sizes for light and moderate wind exposures.</p>	24Lb 11kg	16" x 0.4in 406" x 10mm	Light - Moderate Winds	1.5in 38mm	1.8in 48mm	16050
	55Lb 25kg	24" x 0.4in 609" x 10mm	Moderate - Strong Winds	1.8in 48mm	2.2in 57mm	16054
<p><b>Square Metal Plate Base (available with roller wheels)</b></p> <p>Square Metal Plate Bases able to mount the 70mm Pole Tube stand to fit the 60mm Safari Pole. Able to be bolted to the floor for extra stability or available with roller wheels to facilitate maneuverability.</p>	92.6Lb 42kg	27.5" x 0.39 700" x 10	Strong - High Winds	2.3in 60mm	2.7in 70mm	16059
						With Rollers 16060

CENTER POLE PARASOL  
BASE OPTIONS



Square Metal Plate with stainless steel pole sleeve & rollers.      Deluxe Bolt-on Pole Stand - Square / Round      In-Ground Bayonet Pole Stand



Deluxe In-Ground Bayonet Pole Stand      Deck Mount      Table Clamp

SUGGESTED POLE STANDS & MOUNTING OPTIONS	MOUNTED	SIZE	RECOMMENDED FOR	POLE Ø	STAND Ø	CODE
<p><b>Deluxe Bolt-on Pole Stand - Square (S) / Round (R)</b></p> <p>The Deluxe Bolt-on Pole Stand is mounted directly onto concrete floors of at least 100mm thick @ ≥ 35Mpa with the use of a Universal Mounting plate. Two hand wheels tighten a shoehorn against the pole to ensure the perfect fit.</p>	Bolted to the floor or to other base systems	Small	Moderate - Strong Winds	1.5in 38mm	1.8in 48mm	S) 16100 R) 16101
		Medium	Moderate - Strong Winds	1.8in 48mm	2.2in 57mm	S) 16102 R) 16103
		Large	Strong - High Winds	2.3in 60mm	2.7in 70mm	S) 16104 R) 16105
<p><b>In-Ground Bayonet Pole Stand</b></p> <p>The In-Ground Bayonet Pole Stand secures the parasol pole into the ground. A single hand wheel tightens a shoehorn to ensure the perfect fit. A cap covers the hole when the parasol pole is not in use.</p>	Concreted into the ground	Small	Light - Moderate Winds	1.5in 38mm	1.8in 48mm	16112
		Medium	Moderate - Strong Winds	1.8in 48mm	2.2in 57mm	16113
<p><b>Deluxe In-Ground Bayonet Pole Stand</b></p> <p>The Deluxe In-Ground Bayonet Pole Stand secures the parasol pole into the ground and is suitable for the bigger parasols in higher winds. Two hand wheels tighten a shoehorn against the pole to ensure the perfect fit. A cap covers the hole when not in use.</p>	Concreted into the ground	Medium	Strong - High Winds	1.8in 48mm	2.2in 57mm	16116
		Large		2.3in 60mm	2.7in 70mm	16117
<p><b>Deck Mount - (300x300 adjustable)</b></p> <p>An adjustable deck mounting bracket is bolted between the supporting beams of a wooden deck. A universal mounting plate which is mounted through the wooden deck into the Universal Below Deck Bracket, fits any Pole or Tube stand.</p>	Bolts on under deck to secure the Pole Stand.	11.8 x 11.8 x 2.9in 300 x 300 x 75mm	Light - Moderate Winds	Accommodates any pole size with the appropriate Pole or Tube Stand		16126
		Moderate - Strong Winds				
<p><b>Table Clamp</b></p> <p>The Table Clamp mounting system is mounted to a table with a hole. Can be fitted from above or below the table top to position flush with the table top. A Shoehorn is tightened against the centre pole with a hand wheel.</p>	Bolts on under Table top	Small	Light - Moderate Winds	1.5in 38mm	1.8in 48mm	16131
		Medium	Moderate - Strong Winds	1.8in 48mm	2.2in 57mm	16132
<p><b>Ground Spike</b></p> <p>The Ground Spike secures the centre pole by being pushed into soft soil. A Shoehorn is tightened against the centre pole with a hand wheel.</p>	Is pushed or hammered into soft soil	Small	Light - Moderate Winds	1.5in 38mm	1.8in 48mm	16133
		Medium		1.8in 48mm	2.2in 57mm	16134

For more information and further anchoring options please see chapter on bases - page 80





CENTER POLE PARASOL  
CANOPY FABRIC OPTIONS



Sunbrella, Primo & Syntec outdoor fabrics

FABRIC OPTIONS

Choose from stylish arrays of classic, modern & fashionable fabrics that are hand picked to endure outdoor living. Available in colours and patterns to compliment your style and fit any environment.

Sunbrella (Solution Dyed)	Proof	Polyester
100% Sunbrella solution dyed colour fast fabric is UV, water, mould & stain resistant. A world leader in outdoor fabrics.	Primo fabric is a range of customized fabrics specifically made for shade	Polyester outdoor fabrics are completely water, soil and oil repellent.

MODELS	SUNBRELLA	PRIMO	SYNTEC	MODELS	SUNBRELLA	PRIMO	SYNTEC
R27	12450	09902	12417	S29	12458	12393	12432
R29	12451	09906	12418	S30 - 48mm Ø	13134	09918	16652
R30 - 48mm Ø	12455	09908	12426	S30 - 60mm Ø	16653	16654	16655
R30 - 60mm Ø	16614	16615	16616	S35 - 60mm Ø	07900	12412	12443
R35 - 48mm Ø	12456	12392	12428	S38	12468	12413	12444
R35 - 60mm Ø	16620	16621	16622	R22x3 - 48mm Ø	09210	09642	16664
R40 - 48mm Ø	12457	11693	12431	R22x3 - 60mm Ø	16665	16666	16667
R40 - 60mm Ø	16626	16627	16628	R22x33 - 48mm Ø	12459	12394	12433
R50	11949	09758	16631	R22x33 - 60mm Ø	16671	16672	16673
S20	11110	09912	12422	R25x35 - 48mm Ø	12460	12398	12434
S22	12423	09914	12423	R25x35 - 60mm Ø	16677	16678	16679
S25 - 38mm Ø	11283	09916	12424	R3x4	12470	12415	12446
S25 - 48mm Ø	16641	16642	16643	R32x43	12633	12632	16685
S285	12466	09645	12441				

CANOPY ATTACHMENT METHOD



The canopy fabric comes fitted to its frame by stainless steel Eyelets making it a breeze should you wish to remove the fabric for cleaning or seasonal changes.

Eyelet - Solid Stainless Steel (A4 - #316) Rim Grommet with self-interlocking spur washer. (Standard outside USA)

OEM Canopy attachment options include leather or self fabric pockets and the innovative Loxx system. For more information see chapter on OEM - page 92.

CENTER POLE PARASOL  
ATTACHMENT METHOD & ACCESSORIES

ACCESSORIES

Prolong the life of the fabric when not in use with a cover bag.

COVER BAGS	SUNBRELLA	PRIMO	SYNTEC	PVC
Heavy Duty Zip Bag Small 1 (R27, R29, S20, S22)	07989	04280	16962	04282
Heavy Duty Zip Bag Small 2 - Long (S25, [R2x3 OEM])	10831	04281	16966	04283
Heavy Duty Zip Bag Medium (R30, R35, R40, S285, S29, R22x3)	11694	04277	16970	04278
Heavy Duty Zip Bag Large (R50, S35, S38, R22x33, R25x35, R3x4, R32x43)	07987	04274	16974	04275

PACKAGING

Ensuring that your Bravura centre pole parasol gets to you in the same state that it left us, beautifully. Separate packaging for bases.

CARTON PACKAGING	Nºof BOXES	LENGTH	WIDTH	HEIGHT	WEIGHT
R27 Bravura Canopy Fabric & Structure (Small Carton)	1	98in / 249cm	7.5in / 19cm	7.5in / 19cm	19.5Lb / 8.8kg
R29 Bravura Canopy Fabric & Structure (Small Carton)	1	98in / 249cm	7.5in / 19cm	7.5in / 19cm	22.Lb / 10.16kg
R30 Bravura Canopy Fabric & Structure (Medium Carton)	1	103.9in / 264cm	9in / 23cm	8.6in / 22cm	35.2Lb / 16.6kg
R35 Bravura Canopy Fabric & Structure (Medium Carton)	1	103.9in / 264cm	9in / 23cm	8.6in / 22cm	37.4Lb / 17.8kg
R40 Bravura Canopy Fabric & Structure (Large Carton)	1	111.4in / 283cm	10.2in / 26cm	10.2in / 26cm	46.3Lb / 21.9kg
R50 Bravura Canopy Fabric & Structure (Large Carton)	1	111.4in / 283cm	10.2in / 26cm	10.2in / 26cm	62.6Lb / 28.4kg
S25 Bravura Canopy Fabric & Structure (Medium Carton)	1	98in / 249cm	7.5in / 19cm	7.5in / 19cm	24Lb / 10.9kg
S285 Bravura Canopy Fabric & Structure (Medium Carton)	1	111.4in / 283cm	10.2in / 26cm	10.2in / 26cm	43.6Lb / 19.8kg
S29 Bravura Canopy Fabric & Structure (Medium Carton)	1	103.9in / 264cm	9in / 23cm	8.6in / 22cm	39Lb / 17.72kg
S30 Bravura Canopy Fabric & Structure (Large Carton)	1	111.4in / 283cm	10.2in / 26cm	10.2in / 26cm	63.9Lb / 29.26kg
S35 Bravura Canopy Fabric & Structure (Large Carton)	1	111.4in / 283cm	10.2in / 26cm	10.2in / 26cm	51.1Lb / 23.2kg
S38 Bravura Canopy Fabric & Structure (Large Carton)	1	111.4in / 283cm	10.2in / 26cm	10.2in / 26cm	60.8Lb / 27.6kg
R22x3 Bravura Canopy Fabric & Structure (Medium Carton)	1	103.9in / 264cm	9in / 23cm	8.6in / 22cm	43.4Lb / 19.7kg
R22x33 Bravura Canopy Fabric & Structure (Medium Carton)	1	103.5in / 263cm	9in / 23cm	8.6in / 22cm	45.6Lb / 20.7kg
R25x35 Bravura Canopy Fabric & Structure (Large Carton)	1	111.4in / 283cm	10.2in / 26cm	10.2in / 26cm	48Lb / 21.7kg
R3x4 Bravura Canopy Fabric & Structure (Large Carton)	1	111.4in / 283cm	10.2in / 26cm	10.2in / 26cm	58.4Lb / 26.5kg
R32x43 Bravura Canopy Fabric & Structure (Large Carton)	1	111.4in / 283cm	10.2in / 26cm	10.2in / 26cm	62Lb / 28.1kg
HexCon Slab 1PS Base Slab (Small)	1	21.6in / 55cm	21.2in / 54cm	2.75in / 7cm	70.5Lb / 32kg
HexCon Slab 1PS Base Slab (Medium)	1	26.7in / 68cm	26.7in / 68cm	2.75in / 7cm	121.2Lb / 55kg
HexCon Slab 1PS Base Slab (Large)	1	30.7in / 78cm	30.7in / 78cm	2.75in / 7cm	165.3Lb / 75kg
HexCon Slab KDS Base Kit (Small)	1	20.6in / 52.5cm	21.6in / 55cm	2.75in / 7cm	44.1Lb / 20kg
HexCon Slab KDS Base Kit (Medium)	1	22.6in / 57.5cm	21.6in / 55cm	3.3in / 8.5cm	66.1Lb / 30kg
HAFCon Base - (Frame)	1	35.8in / 91cm	35.8in / 91cm	2.0in / 5.2cm	48.5Lb / 22kg
HAFCon Base - (Slabs x 4)	4	17.7in / 45cm	17.5in / 44.5cm	3.3in / 8.5cm	251.3Lb / 114kg
Paver Frame Base	1	31.8in / 91.5cm	31.8in / 91.5cm	2.9in / 8.5cm	48.2Lb / 21.9kg

Continued on next page.





CENTER POLE PARASOL  
OEM REFERENCE & OEM BRANDING OPTIONS

BASES	Aluminium Shell Kit (Medium)	1	24in / 61cm	24in / 61cm	3.9in / 10cm	12.3Lb / 5.6kg
	Aluminium Shell Kit (Large)	1	31.8in / 81cm	31.8in / 81cm	3.9in / 10cm	14.1Lb / 6.4kg
	Round Metal Plate Base (Small - 406mmØ x 10mm)	1	17.7in / 45cm	17.7in / 45cm	3.1in / 8cm	24.2Lb / 11kg
	Round Metal Plate Base (Medium - 508mmØ x 10 mm)	1	20.2in / 51.5cm	20.2in / 51.5cm	3.1in / 8cm	37.4Lb / 17kg
	Round Metal Plate Base (Large - 609mmØ x 10mm)	1	25.6in / 65cm	25.6in / 65cm	1.7in / 4.5cm	55.1Lb / 25kg
	Square Metal Plate Base (Medium - 700mm <sup>2</sup> x 10mm)	1	29.9in / 76cm	29.9in / 76cm	2.3in / 6cm	92.6Lb / 42kg
	In-Ground Bayonet Pole Stand (Small)	1	7in / 92cm	4.72in / 12cm	2.76in / 7cm	8.8Lb / 4kg
	In-Ground Bayonet Pole Stand (Medium)	1	40.9in / 104cm	5.1in / 13cm	3.7in / 9.5cm	12.1Lb / 5.5kg
	Deluxe In-Ground Bayonet Pole Stand (Medium)	1	41.3in / 105cm	5.1in / 13cm	3.7in / 9.5cm	12.7Lb / 5.7kg
	Deluxe In-Ground Bayonet Pole Stand (Large)	1	41.3in / 105cm	5.3in / 13.5cm	3.7in / 9.5cm	9.9Lb / 4.5kg
	Deluxe Bolt-on Pole Stand (Small, Medium & Large)	1	22.4in / 57cm	8.6in / 22cm	8.4in / 21.5cm	9.9Lb / 4.4kg
	Deck Mount (300x300 adjustable)	1	13.4in / 34cm	13.4in / 34cm	4.3in / 11.5cm	15.4Lb / 7kg
	Table Clamp	1	7.8in / 20cm	5.1in / 13cm	5.1in / 13cm	1.63Lb / 0.74kg
	Ground Spike	1	21.2in / 54cm	4.3in / 11cm	3.5in / 9cm	1.67Lb / 0.76kg
	ACCESSORIES	Heavy Duty Zip Cover bag Small 1	Cover Bags and stick are usually packed with parasols			
Heavy Duty Zip Cover bag Small 2 (Long)		1.1Lb / 0.5kg				
Heavy Duty Zip Cover bag Medium		1.6Lb / 0.74kg				
Heavy Duty Zip Cover bag Large		1.7Lb / 0.8kg				

All measurements and weights (imperial and metric) are approximate and shown as decimals. Woodline reserves the rights to change the details of its products and packaging at any time. The above table is to be used only as a guideline.



OEM OPTIONS

Have a order worth customizing? To set yourself apart or simply to fit your environmental needs customize your Bravura parasol order from canopy, to structure, right down to the bases with various functional, and elegant OEM treatments and touches. For more OEM information please see chapter on OEM - page 92. .



Wooden components in different finishes



Metal components in different finishes

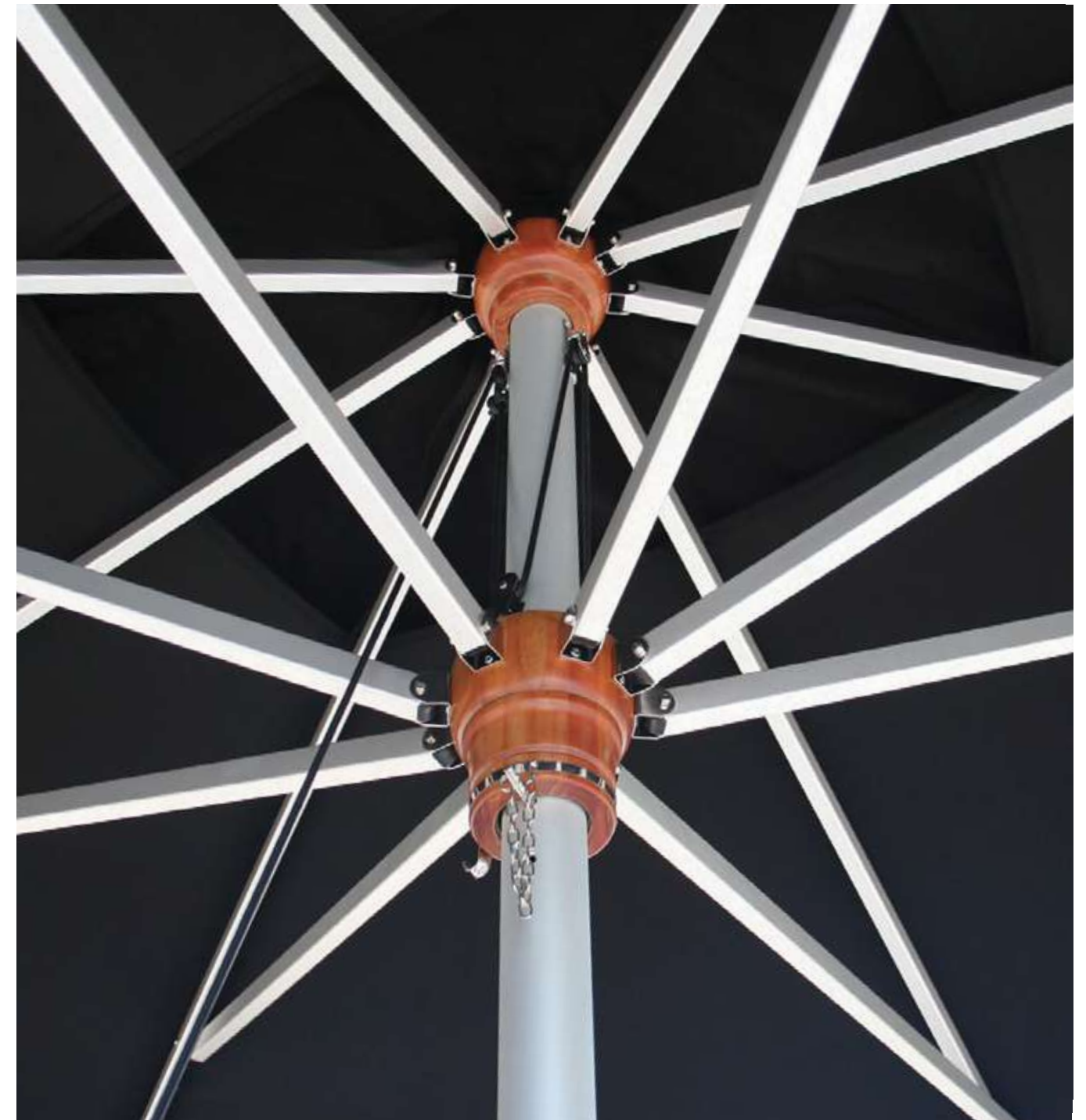
CENTER POLE PARASOL  
OEM BRANDING OPTIONS

OEM BRANDING & PRINTING OPTIONS

*Make the most of your parasols outdoor presence, by giving your brand its day in the sun, everyday.*

- PRINTING ON TOPSIDE OF CANOPY.**  
 The top of the Bravura's outstretched canopy offers prime real estate for outdoor branding. Visible from a distance and from above.
- PRINTING ON UNDERSIDE OF CANOPY.**  
 Whilst enjoying the cool shade of the Bravura parasol the underside of the canopy is a great space to get your brands message across at close quarters.
- PRINTING ON COVER BAG**  
 Promote your brand outdoors even whilst your Parasol's canopy is safely stored.
- PRINTING ON ADDED VALANCE**  
 The vertical sides of a valance offer the perfect space to communicate your brand's message, directly in the line of sight and visible from a distance.

*For more information see section on OEM Branding - page 90.*



The Bravura centre pole parasol with OEM order hub.





# STORM RANGE

Engineered for strength, the Storm is fashioned from ultra corrosion resistant aluminium and marine grade stainless steel used in the construction of super yachts.

Its burley structure is designed to withstand the onslaught of nature's fury. Through careful consideration Woodline has selected and developed the most resilient canopy fabrics to defy

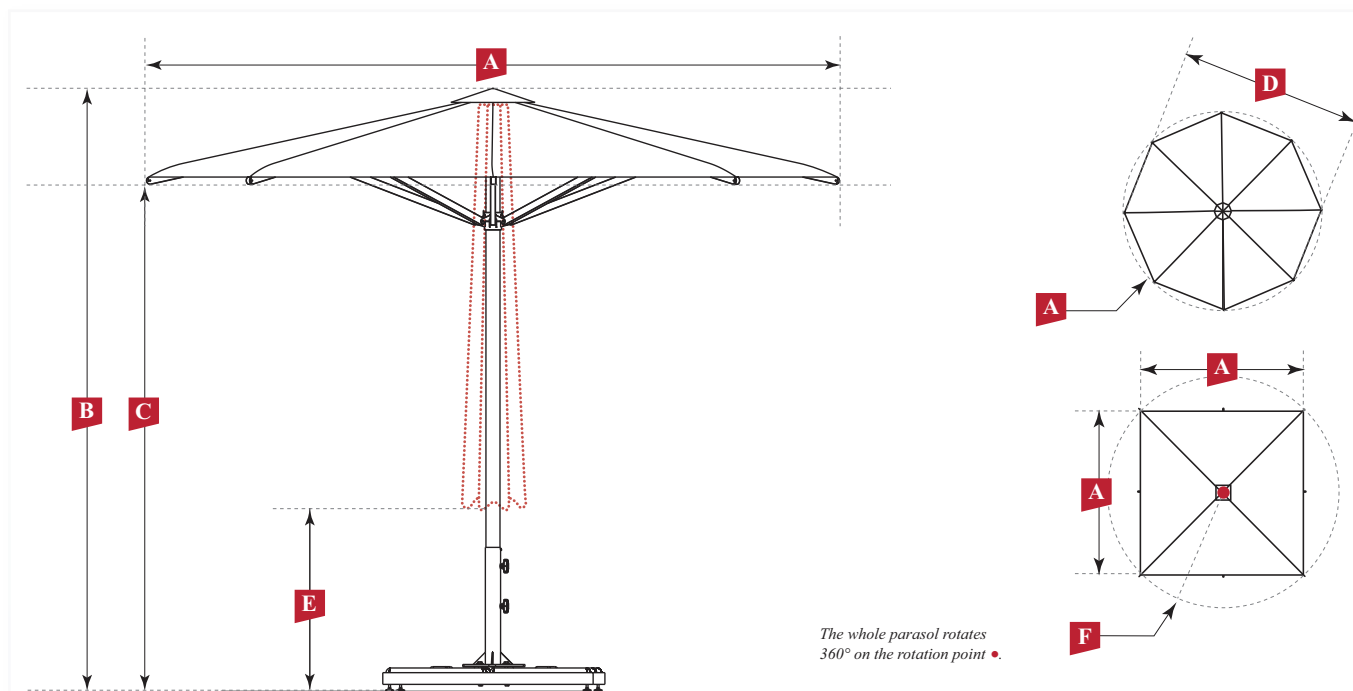
the attention of the whipping winds and scorching sun. The built in dual pulley system of pure stainless steel assures smooth and effortless operation day after day.

Tested in the some of the worlds most challenging conditions at South Africa's "Cape of Storms", Woodline's Storm range stands strong regardless.

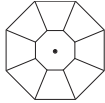
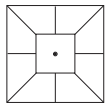




CENTER POLE PARASOL SPECIFICATIONS



- A** Canopy size:  
Round – size is measured from tip to tip through the center  
Square – size is measured from tip to tip on one side  
Rectangle – size is measured from tip to tip on long side
- B** Total height of structure without finial
- C** Head clearance from canopy
- F** This distance is measured from the pivot point to the farthest distance from this point on the parasol. The distance defines the radius of the circle created as the parasol rotates 360 degrees.
- All vertical measurements are taken from the ground level, including free-standing base (130mm height). All measurements (imperial and metric) are approximate and shown as decimals. To be used only as a guideline.
- Indicates canopy sizes which are able to close above table tops.

SHAPE & POLE Ø		MODEL	CODE	A	B	C	D	E	F*
ROUND  Octagonal - 8 Ribs -	2.36in / 60mm Pole Ø	R30	12911	9.8ft 3.0m	8.3ft 2.53m	7.2ft 2.21m	9.0ft 2.75m	3.2ft 0.99m	4.9ft 1.5m
		R35	11435	11.4ft 3.5m	8.3ft 2.53m	7.3ft 2.25m	10.4ft 3.18m	2.5ft 0.78m	5.7ft 1.75m
		R40	11691	13.1ft 4.0m	9.2ft 2.83m	7.1ft 2.17m	12.4ft 3.79m	2.4ft 0.75m	6.5ft 2.0m
SQUARE  Square - 8 Ribs -	2.36in / 60mm Pole Ø	S285	12048	2.85m	9.2ft 2.83m	7.8ft 2.40m	NA	3.2ft 0.99m	6.5ft 2.0m
		S30	12913	9.5ft 3.0m	8.3ft 2.53m	7.8ft 2.4m	NA	1.3ft 0.42m	6.9ft 2.1m
		S35	12727	11.4ft 3.5m	9.2ft 2.83m	7.0ft 2.15m	NA	0.7ft 0.23m	8.1ft 2.47m



CENTER POLE PARASOL COMPONENTS & BASE OPTIONS



Marine grade stainless steel joint plates



Marine grade stainless steel hubs and centre pole

COMPONENT COMPOSITION

The 60mm diameter centre pole with its 2mm wall forms the backbone of the Storm's fortitude. It along with the joint plates, pulleys, hubs and fittings including the canopy attachment eyelets are all forged from the highest grade stainless steel. The kind that is often used in the construction of super yachts for its strength and pure contempt of corrosion.

BASE & MOUNTING OPTIONS

The Storm parasol is made to endure the harshest weather conditions, Which is why the recommended bases that fit the Storms 60mm pole are without doubt some of the hardest waring parasol bases known to man.



HAFCon Base



Double Paver Fame Kit (Pavers not included)



Double Paver Fame Kit (Example with Pavers)



Double Stack SQ. Metal Plate Base



Deluxe Bolt-on Pole Stand - Square / Round




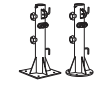
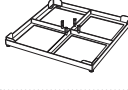
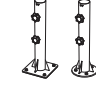
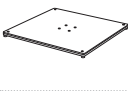
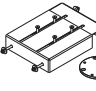

Rope Lock Bolt-on Pole Stand



Deck Mount



Underground Mount - Round

SUGGESTED FREE STANDING BASE SYSTEMS	WEIGHT	CODE	SUGGESTED POLE STANDS & MOUNTING OPTIONS	CODE
 HAFCon Base Consists of a metal frame with corner height adjustable sliders, 4 reinforced concrete slabs with inset carry handles and a base plate to fit the 70mm Deluxe Bolt-on stand.	136kg	16040	 Rope Lock Bolt-on Pole Stand - (S) / (R) Rope Lock Bolt-on Pole Stand can be mounted directly to solid flooring or to a mount plate. Featuring a rope lock cleat to secure the pulley rope at ground level.	S)16110 R)16111
 Double Paver Frame kit Consists of a metal frame which can houses a layer of 4 standard sized 40.6mm <sup>2</sup> paver slabs to be purchased separately (included on request). Pole Stand Ordered separately		16047	 Deluxe Bolt-on Pole Stand - Square (S) / Round (R) Mounted directly onto concrete floors or to a mount plate. Two hand wheels tighten a shoehorn against the pole ensuring the perfect fit.	S)16104 R)16105
 Double Stack SQ. Metal Plate Base 800 <sup>2</sup> Double stacked Square Metal Plate Bases with height adjustable sliders. Recommended to be used with the Deluxe Bolt-on Pole Stand (purchased separately).	120kg	16062	 Deck-Mount - (450x300 adjustable) The Deluxe Pole Stand (ordered separately) is mounted to wooden decks with the Universal Below Deck Bracket which adjusts to fit between the decks supporting beams.	16127
			 Underground Mount - Round (R) The Underground Mount is concreted into the ground where the surface is non solid gravel or earth. Used with Deluxe Bolt-on Floor Pole Stand.	R)16121

For more information and further anchoring options please see chapter on bases - page 80





CENTER POLE PARASOL  
CANOPY FABRIC OPTIONS, ATTACHMENT METHODS & ACCESSORIES



Sunbrella, Primo & Syntec outdoor fabrics

FABRIC OPTIONS

Choose from stylish arrays of classic, modern & fashionable fabrics that are hand picked to endure outdoor living. Available in colours and patterns to compliment your style and fit any environment.

FABRIC TYPE	R30	R35	R40	S285	S30	S35
<b>Sunbrella</b> 100% Sunbrella solution dyed colour fast fabric is UV, water, mould & stain resistant. A real world leader in outdoor fabrics.	12461	12298	16692	16695	13134	13045
<b>Primo</b> Primo fabric is a range of customized fabrics specifically made for shade	12404	12406	11693	12068	16699	12412
<b>Syntec</b> Syntec fabric is completely water, soil and oil repellent.	12435	12436	12438	16697	16700	16703

CANOPY ATTACHMENT METHOD



The canopy fabric comes fitted to its frame by stainless steel Eyelets making it a breeze should you wish to remove the fabric for cleaning or seasonal changes.

Eyelet - Solid Stainless Steel (A4 - #316) Rim Grommet with self-interlocking spur washer. (Standard outside USA)

OEM Canopy attachment options include leather or self fabric pockets and the innovative Loxx system. For more information see chapter on OEM - page 92.

ACCESSORIES

Prolong the life of the fabric when not in use with a cover bag.

COVER BAGS	SUNBRELLA	PRIMO	SYNTEC	PVC
HEAVY DUTY COVER BAG WITH DRAWSTRING	16964	16965	16966	16967
HEAVY DUTY COVER BAG LARGE	07987	04274	16970	04275

CENTER POLE PARASOL  
PACKAGING & OEM REFERENCE

PACKAGING

Ensuring that your Storm centre pole parasol gets to you in the same state that it left us, beautifully. Separate packaging for bases.

CARTON PACKAGING	N° of BOXES	LENGTH	WIDTH	HEIGHT	WEIGHT
<b>STRUCTURE</b>					
R30 Storm Canopy Fabric & Structure	1	111.4in / 283cm	10.2in / 26cm	10.2in / 26cm	52.9Lb / 24kg
R35 Storm Canopy Fabric & Structure	1	111.4in / 283cm	10.2in / 26cm	10.2in / 26cm	55.7Lb / 25.3kg
R40 Storm Canopy Fabric & Structure	1	111.4in / 283cm	10.2in / 26cm	10.2in / 26cm	60.8Lb / 27.6kg
S285 Storm Canopy Fabric & Structure	1	111.4in / 283cm	10.2in / 26cm	10.2in / 26cm	57.3Lb / 26kg
S30 Storm Canopy Fabric & Structure	1	111.4in / 283cm	10.2in / 26cm	10.2in / 26cm	57.7Lb / 26.18kg
S35 Storm Canopy Fabric & Structure	1	111.4in / 283cm	10.2in / 26cm	10.2in / 26cm	65.4Lb / 29.7kg
<b>BASES</b>					
HAFCon Base - (Frame)	1	35.8in / 91cm	35.8in / 91cm	2.0in / 5.2cm	48.5Lb / 22kg
HAFCon Base - (Slabs x 4)	4	17.7in / 45cm	17.5in / 44.5cm	3.3in / 8.5cm	251.3Lb / 114kg
Double Paver Frame Kit	1	36in / 91.5cm	36in / 91.5cm	3.3in / 8.5cm	54Lb / 24.5kg
Double Stack SQ. Metal Plate Base	1	33.8in / 86cm	33.8in / 86cm	2.3in / 6cm	270Lb / 122.5kg
Deluxe Bolt-on Pole Stand (Large)	1	22.4in / 57cm	8.6in / 22cm	8.4in / 21.5cm	9.9Lb / 4.4kg
Rope Lock Bolt-on Stand	1	22.4in / 57cm	8.6in / 22cm	8.4in / 21.5cm	9.9Lb / 5.2kg
Deck Mount (450x300 adjustable)	1	18.5in / 47cm	18.5in / 47cm	18.5in / 47cm	31.9Lb / 14.5kg
Underground Mount	1	41.7in / 106cm	7in / 18cm	7in / 18cm	16.1Lb / 7.3kg
<b>ACC</b>					
Heavy Duty Zip Cover bag Medium	Cover Bags packed with Parasols				2.2Lb / 0.9kg
Heavy Duty Zip Cover bag Large					2.2Lb / 1kg

All measurements and weights (imperial and metric) are approximate and shown as decimals. Woodline reserves the rights to change the details of its products and packaging at any time. The above table is to be used only as a guide.



OEM STRUCTURE & BRANDING OPTIONS

Have a order worth customizing? To set yourself apart or simply to fit your environmental needs customize your Storm parasol order from canopy, to structure, right down to the bases with various functional, and elegant OEM treatments and touches. For more OEM information please see chapter on OEM - page 92.



Stainless Steel in various finishes



Powder Coating of aluminium components



CENTER POLE PARASOL  
OEM BRANDING OPTIONS



---

OEM BRANDING & PRINTING OPTIONS

---

*Make the most of your parasols outdoor presence, by giving your brand its day in the sun, everyday.*

- **PRINTING ON TOPSIDE OF CANOPY.**  
The top of the Storm's outstretched canopy offers prime real estate for outdoor branding. Visible from a distance and from above.
- **PRINTING ON UNDERSIDE OF CANOPY.**  
Whilst enjoying the shade of the Storm parasol the underside of the canopy is a great space to get your brands message across at close quarters.
- **PRINTING ON COVER BAG**  
Promote your brand outdoors even whilst your Storm canopy is safely stored.
- **PRINTING ON ADDED VALANCE**  
The vertical sides of a valance offer the perfect space to communicate your brand's message, directly in the line of sight and visible from a distance.

*For more information see section on OEM Branding - page 90.*







# MISTRAL RANGE

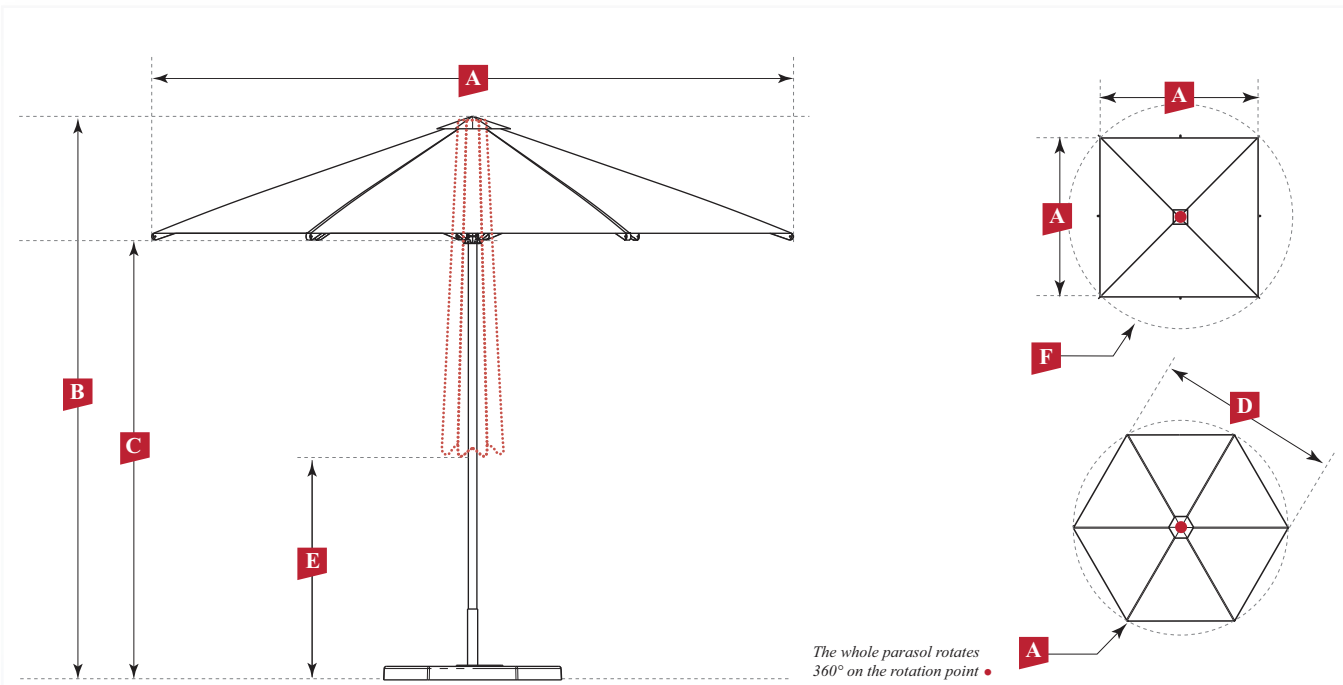
The Mistral market parasol range, with its minimalist aesthetic, perfectly illustrates the elegance of simplicity. Resilient, functional and maintenance free, it hits the mark with longevity and style.

For OEM orders premium grade screen-printing on the canopy offers excellent branding opportunities for commercial applications making the Mistral as comfortable in the market place as it is at home.





CENTER POLE PARASOL SPECIFICATIONS



- A** Canopy size:  
Round – size is measured from tip to tip through the center  
Square – size is measured from tip to tip on one side  
Rectangle – size is measured from tip to tip on long side
- B** Total height of structure without finial
- C** Head clearance from canopy
- D** Minimum width of the rectangular canopy
- E** Clearance when closed
- F\*** Circumference clearance
- Rotation point

**F\*** This distance is measured from the pivot point to the farthest distance from this point on the parasol. The distance defines the radius of the circle created as the parasol rotates 360 degrees.  
All vertical measurements are taken from the ground level, including free-standing base (130mm height).  
All measurements (imperial and metric) are approximate and shown as decimals. To be used only as a guideline.  
Indicates canopy sizes which are able to close above table tops.

SHAPE & POLE Ø	MODEL	PARASOL FRAME	CODE	A	B	C	D	E	F*	
ROUND  1.5in / 38mm Pole Ø	R25	Aluminium (Standard)	17120	8.33ft	8.3ft	7.25ft	7.25ft	3.67ft	8.33ft	
		Eucalyptus (Alternate)	17121	2.54m	2.53m	2.21m	2.21m	1.12m	2.54m	
	R27	Aluminium (Standard)	17122	8.5ft	8.3ft	6.56ft	7.38ft	3.67ft	8.5ft	
		Eucalyptus (Alternate)	17123	2.6m	2.53m	2.00m	2.25m	1.12m	2.6m	
	R29	Aluminium (Standard)	17124	9.35ft	8.3ft	6.43ft	8.13ft	3.24ft	9.35ft	
		Eucalyptus (Alternate)	17125	2.85m	2.53m	1.96m	2.48m	0.99m	2.85m	
	R30	Aluminium (Standard)	17126	9.71ft	8.3ft	7.11ft	8.43ft	3.08ft	9.71ft	
		Eucalyptus (Alternate)	17127	2.96m	2.53m	2.17m	2.57m	0.94m	2.96m	
	SQUARE  1.5in / 38mm Pole Ø	S19	Aluminium (Standard)	17128	6.3ft	8.3ft	6.75ft	NA	3.2ft	8.3ft
			Eucalyptus (Alternate)	17129	1.9m	2.53m	2.06m	NA	1.14m	2.52m
S20		Aluminium (Standard)	17130	6.56ft	8.3ft	6.14ft	NA	3.24ft	9.35ft	
		Eucalyptus (Alternate)	17131	2.0m	2.53m	1.87m	NA	0.99m	2.85m	
S22		Aluminium (Standard)	17132	7.2ft	8.3ft	6.14ft	NA	2.9ft	9.9ft	
		Eucalyptus (Alternate)	17133	2.2m	2.53m	1.87m	NA	0.89m	3.0m	
S25		Aluminium (Standard)	17134	8.2ft	8.3ft	6.14ft	NA	2.4ft	11ft	
		Eucalyptus (Alternate)	17135	2.5m	2.53m	1.87m	NA	0.74m	3.4m	
S30	Aluminium (Standard)	17136	9.8ft	8.3ft	6.0ft	NA	1.08ft	14.1ft		
	Eucalyptus (Alternate)	17137	3.0m	2.53m	1.85m	NA	0.33m	4.3m		

CENTER POLE PARASOL COMPONENT & BASE OPTIONS



Aluminium (Standard)



Eucalyptus (Alternative)

COMPONENT COMPOSITION OPTIONS

The Mistral's ribs and pole are offered in two options, choose from either Aluminium (standard) or Eucalyptus (alternative) with non corrosive composite upper and lower notches. The canopy is opened and closed effortlessly with a built in pulley system. A stainless steel hook is used to keep the rope neatly wrapped

BASE & MOUNTING OPTIONS

The Mistral market parasol is light and can easily be moved. To compliment this convenient feature the following free standing bases and easily detached, semi permanent, mounting options are recommended.



HexCon Slab 1PS Base Kit



HexCon Slab KDS Base Kit



Round Metal Plate



1PS Tri-Bolt Pole Stand



Deck Mount



In-Ground Bayonet Pole Stand



Table Clamp



Ground Spike

SUGGESTED FREE STANDING BASE SYSTEMS	WEIGHT	CODE	SUGGESTED POLE STANDS & MOUNTING OPTIONS	CODE
HexCon Slab 1PS Base Kit This hexagonal shaped, reinforced concrete slab is a classic it features a 1 piece 48mm Pole Stand with a hand wheel and shoehorn to tighten against Mistral's centre pole and secure it.	32kg	16004	Deck-Mount 300x300 The 48mm Bolt-on Pole Stand (Ordered separately) is mounted through the wooden deck into the Universal Below Deck Bracket which is adjustable to fit between the decks supporting beams.	16126
HexCon Slab KDS Base Kit This hexagonal shaped, reinforced concrete slab is an update on a classic. Features a 48mm knock down Pole Stand with a hand wheel and shoehorn to tighten against Mistral's centre pole and secure it.	20kg	16002	In-Ground Bayonet Pole Stand The 48mm In-Ground Bayonet Pole Stand secures the Mistral's centre pole in the ground with a tightening hand wheel and a shoehorn for the perfect fit. A cap covers the hole when not in use.	16112
Round Metal Plate Base Round Metal Plate Base with a 48mm Pole Stand with hand wheel and shoehorn to fit the Mistral's 38mm centre pole perfectly. Comes in various sizes for expected wind exposures.	11kg	16050	Table Clamp The Table Clamp can be mounted to any table top with a hole (either from above or below). The single hand wheel securely tightens the shoehorn against the parasol's centre pole which for the perfect fit.	16131
1PS Tri-Bolt Pole Stand This 48mm triangular 1 Piece Pole Stand mounts sturdily to solid concrete floors (at least 100mm deep, ≥35Mpa). The hand wheel tightens a shoehorn against the center pole for the perfect fit.		4353	Ground Spike The Ground Spike secures the centre pole by being pushed into soft soil. A hand wheel tightens the shoehorn against the centre pole for the perfect.	16133

For more information and further anchoring options please see chapter on bases - page 80





CENTER POLE PARASOL  
CANOPY FABRIC OPTIONS, ATTACHMENT METHOD & ACCESSORIES



Sunbrella, Primo & Syntec outdoor fabrics

FABRIC OPTIONS

Choose from stylish arrays of classic, modern & fashionable fabrics that are hand picked to endure outdoor living. Available in colours and patterns to compliment your style and fit any environment.

FABRIC TYPE	R25	R27	R29	R30	S19	S20	S22	S25	S30
<b>Sunbrella</b> 100% Sunbrella solution dyed colour fast fabric is UV, water, mould & stain resistant. A real world leader in outdoor fabrics.	12946	12450	12451	12455	12452	11110	11483	11283	16768
<b>Primo</b> Primo fabric is a range of customized fabrics specifically made for shade	09904	09902	09906	09908	09910	09912	09914	09916	09835
<b>Syntec</b> Syntec fabric is completely water, soil and oil repellent.	11631	12417	12418	12426	12421	12422	12423	12424	16770

CANOPY ATTACHMENT METHOD



The canopy fabric comes fitted to the ribs by means of stainless steel eyelets. Making it a breeze should you wish to remove the fabric for cleaning or seasonal changes.

Eyelet - Solid Stainless Steel (A4 - #316) Rim Grommet with self-interlocking spur washer.

OEM Canopy attachment options include leather or self fabric pockets and Loxx system. For more info see chapter on OEM - page 92.

ACCESSORIES

Prolong the life of the fabric when not in use with a cover bag.

COVER BAGS	SUNBRELLA	PRIMO	PVC
HEAVY DUTY COVER BAG SMALL 1 (S19/S20/R27/R29)	07989	04280	04282
HEAVY DUTY COVER BAG SMALL 2 (S25/S30/R30)	10831	04281	04283
HEAVY DUTY COVER BAG MEDIUM	11694	04277	04278

CENTER POLE PARASOL  
ACCESSORIES, PACKAGING & OEM REFERENCE

PACKAGING

Ensuring that your Mistral centre pole parasol gets to you in the same state that it left us, beautifully. Separate packaging for bases.

CARTON PACKAGING	N° of BOXES	LENGTH	WIDTH	HEIGHT	WEIGHT
<b>STRUCTURE</b>					
R25 Mistral Canopy Fabric & Structure	1	98in / 249cm	7.5in / 19cm	7.5in / 19cm	17.2Lb / 7.8kg
R27 Mistral Canopy Fabric & Structure	1	98in / 249cm	7.5in / 19cm	7.5in / 19cm	18.5Lb / 8.4kg
R29 Mistral Canopy Fabric & Structure	1	98in / 249cm	7.5in / 19cm	7.5in / 19cm	21.3Lb / 9.7kg
R30 Mistral Canopy Fabric & Structure	1	98in / 249cm	7.5in / 19cm	7.5in / 19cm	22.9Lb / 10.4kg
S19 Mistral Canopy Fabric & Structure	1	98in / 249cm	7.5in / 19cm	7.5in / 19cm	14.6Lb / 6.6kg
S20 Mistral Canopy Fabric & Structure	1	98in / 249cm	7.5in / 19cm	7.5in / 19cm	15.2Lb / 6.9kg
S22 Mistral Canopy Fabric & Structure	1	98in / 249cm	7.5in / 19cm	7.5in / 19cm	16.7Lb / 7.6kg
S25 Mistral Canopy Fabric & Structure	1	98in / 249cm	7.5in / 19cm	7.5in / 19cm	18.3Lb / 8.3kg
S30 Mistral Canopy Fabric & Structure	1	98in / 249cm	7.5in / 19cm	7.5in / 19cm	24.9Lb / 11.3kg
<b>BASES</b>					
HexCon Slab 1PS Base Slab (Small)	1	21.6in / 55cm	21.2in / 54cm	2.75in / 7cm	70.5Lb / 32kg
HexCon Slab KDS Base Kit (Small)	1	20.6in / 52.5cm	21.6in / 55cm	2.75in / 7cm	44.1Lb / 20kg
1PS Tri-Bolt Pole Stand	1	6.9in / 17.5cm	6.9in / 17.5cm	6.5in / 16.5cm	1.8Lb / 0.84kg
Round Metal Plate Base (Small - 406mmØ x 10mm)	1	17.7in / 45cm	17.7in / 45cm	3.1in / 8cm	24.2Lb / 11kg
Deck Mount (300x300 Adjustable)	1	13.4in / 34cm	13.4in / 34cm	4.3in / 11.5cm	15.4Lb / 7kg
In-Ground Bayonet Pole Stand (Small)	1	7in / 92cm	4.72in / 12cm	2.76in / 7cm	8.8Lb / 4kg
Table Clamp	1	7.8in / 20cm	5.1in / 13cm	5.1in / 13cm	1.63Lb / 0.74kg
Ground Spike	1	21.2in / 54cm	4.3in / 11cm	3.5in / 9cm	1.67Lb / 0.76kg
<b>ACCESSORIES</b>					
Heavy Duty Zip Cover bag Small Short	Cover Bags are usually packed with parasols				0.9Lb / 0.44kg
Heavy Duty Zip Cover bag Small Long					1.1Lb / 0.5kg
Heavy Duty Zip Cover bag Medium					1.6Lb / 0.74kg

All measurements and weights (imperial and metric) are approximate and shown as decimals. Woodline reserves the rights to change the details of its products and packaging at any time. The above table is to be used only as a guide.



OEM OPTIONS

Have a order worth customizing? To set yourself apart or simply to fit your environmental needs customize your Mistral parasol order from canopy, to structure, right down to the bases with various functional, and elegant OEM treatments and touches. For more OEM information please see chapter on OEM - page 92. .





CENTER POLE PARASOL  
OEM BRANDING OPTIONS



OEM BRANDING & PRINTING OPTIONS

*Make the most of your parasols outdoor presence, by giving your brand its day in the sun, everyday.*

- **PRINTING ON TOPSIDE OF CANOPY.**  
The top of the Mistral's outstretched canopy offers prime real estate for outdoor branding. Visible from a distance and from above.
- **PRINTING ON UNDERSIDE OF CANOPY.**  
The underside of its canopy is a great space to get your brand's story or message across at up close and personal.
- **PRINTING ON COVER BAG**  
Promote your brand outdoors even whilst your Mistral canopy is safely stored. Visible from a distance.
- **PRINTING ON ADDED VALANCE**  
The vertical sides of a valance offer the perfect space to communicate your brand's message, directly in the line of sight and visible from a distance.

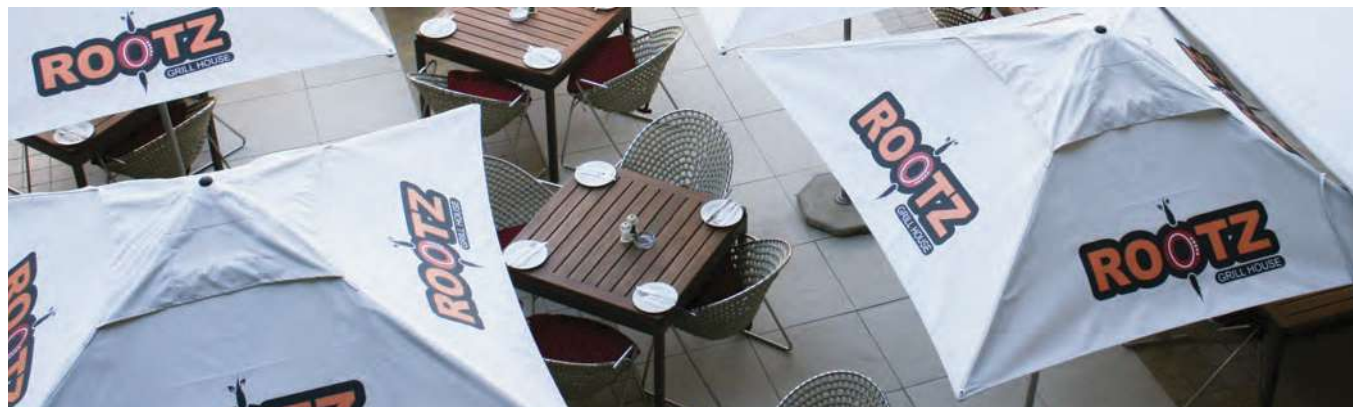
*For more information see section on OEM Branding - page 90.*



The Mistral market parasol promotes a popular coffee shop



Mistral with added valance and printing.



The Mistral market parasol at home at a cafe

CENTER POLE PARASOL





# SWIFT RANGE

Don't let the Swifts skinny form fool you, it is made of tough stuff. From the high quality, polished stainless steel pole to the high grade aluminium ribs and world class canopy this petite little parasol's elegance belies its strength.

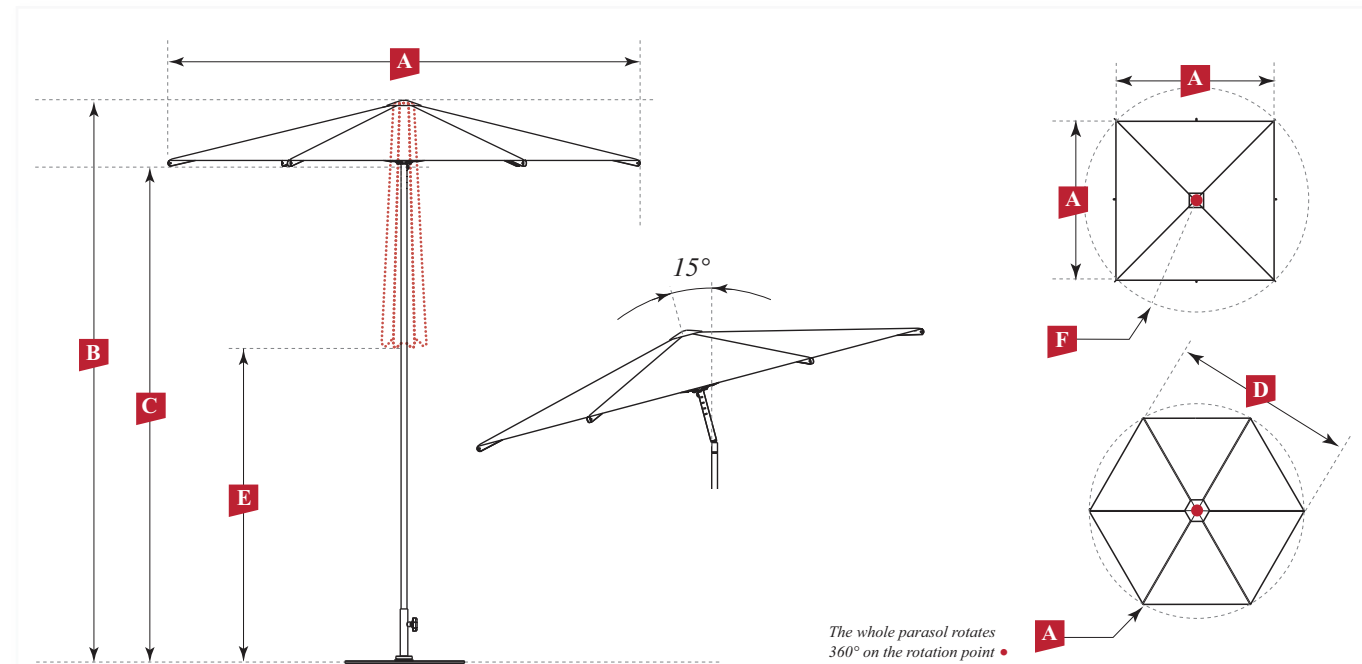
The only parasol on the market with a stainless steel centre pole of 1 inch - 25.4mm

It's optional high adjustable pole and the convenient tilt mechanism make it perfect for intimate spaces placing the shade you want where you want it.





CENTER POLE PARASOL SPECIFICATIONS



The whole parasol rotates 360° on the rotation point •

- A** Canopy size:  
Round – size is measured from tip to tip through the center  
Square – size is measured from tip to tip on one side  
Rectangle – size is measured from tip to tip on long side
- B** Total height of structure without finial
- C** Head clearance from canopy
- F\*** This distance is measured from the pivot point to the farthest distance from this point on the parasol. The distance defines the radius of the circle created as the parasol rotates 360 degrees.
- D** Minimum width of the rectangular canopy
- E** Clearance when closed
- F\*** Circumference clearance for straight pole (tilt dimensions differ)
- Rotation point

All vertical measurements are taken from the ground level, including Round Metal Plate base (20mm height).  
All measurements (imperial and metric) are approximate and shown as decimals. To be used only as a guideline.  
Indicates canopy sizes which are able to close above table tops.

SHAPE & POLE Ø	MODEL	PARASOL FRAME	CODE	A	B	C	D	E	F*
ROUND  1in / 25mm Pole Ø	R20	Tilt	17140	6.5ft 2.0m	7.61ft 2.32m	6.92ft 2.11m	5.77ft 1.76m	4.36ft 1.33m	6.56ft 2.00m
		Non Tilt	17141						
	R22	Tilt	17144	7.4ft 2.2m	7.61ft 2.32m	7.28ft 2.22m	6.49ft 1.98m	7.21ft 2.20m	7.41ft 2.26m
		Non Tilt	17145						
	R25	Tilt	17148	8.5ft 2.5m	7.61ft 2.32m	7.25ft 2.21m	7.31ft 2.23m	3.67ft 1.12m	8.49ft 2.59m
		Non Tilt	17149						
SQUARE  1in / 25mm Pole Ø	S18	Non Tilt	17152	5.9ft 1.8m	7.61ft 2.32m	7.11ft 2.17m	NA	3.41ft 1.04m	8.53ft 2.60m
	S20	Non Tilt	17153	6.6ft 2.0m	7.61ft 2.32m	7.28ft 2.22m	NA	3.08ft 0.94m	9.38ft 2.86m

CENTER POLE PARASOL COMPONENTS & BASE OPTIONS



Non-Tilt (Standard)      Tilt (Alternative)      Height Adjustable Telescopic Center Pole

COMPONENTS COMPOSITION OPTIONS

The Swift parasol is available with a Tilt or Non-Tilt mechanism on the stainless steel centre pole. Ribs and stretchers are made from Aluminium (standard), Stainless Steel (alternate option) with non corrosive composite upper and lower notches. A telescopic centre pole mechanism is also available to reduce or extend the height of the parasol placing the shade just where you want it.

OPTIONAL TELESCOPIC CENTER POLE	R20	R22	R25	S18	S20
Stainless steel 38mm / 1.5in Height Adjustable Pole	17165	17166	17167	17168	17169

BASE OPTIONS

The Swift market parasol is light and easily to move. To compliment this convenient feature these free standing and easily detached semi permanent base or mount options are recommended.



HexCon Slab 1PS Base Kit      HexCon Slab KDS Base Kit      Round Metal Plate  
Square Metal Plate with rollers      Deck Mount      Table Clamp

SUGGESTED FREE STANDING BASE SYSTEMS	WEIGHT	CODE	SUGGESTED POLE STANDS & MOUNTING OPTIONS	CODE
HexCon Slab 1PS Base Kit This hexagonal shaped, reinforced concrete slab is a classic it features a 1 piece 32mm Pole Stand with a hand wheel and shoehorn to tighten against Swift's centre pole and secure it.	32kg	16067	Square Metal Plate - 625mm² The Square Metal Plate base with rollers is great for mobility but can also be bolted to the floor if preferred.	30kg 16057
HexCon Slab KDS Base Kit This hexagonal shaped, reinforced concrete slab is an update on a classic. Features a 32mm knock down Pole Stand with a hand wheel and shoehorn to tighten against Swift's centre pole and secure it.	20kg	16066	Deck-Mount - (300x300 Adjustable) The 32mm Bolt-on Pole Stand (ordered separately) is mounted through the wooden deck into the Universal Below Deck Bracket which is adjustable to fit between the decks supporting beams.	16126
Round Metal Plate Base - 406mm <sup>Ø</sup> Round Metal Plate Base with a 32mm Pole Stand with hand wheel and shoehorn to fit the Swift's 25mm centre pole perfectly. Comes in various sizes for expected wind exposures.	11kg	16068	Table Clamp The Table Clamp can be mounted to any table top with a hole (either from above or below). The single hand wheel securely tightens the shoehorn against the parasol's centre pole which for the perfect fit.	16131

For more information and further anchoring options please see chapter on bases - page 80





CENTER POLE PARASOL  
CANOPY FABRIC OPTIONS, ATTACHMENT METHODS & ACCESSORIES



Sunbrella, Primo & Syntec outdoor fabrics

FABRIC OPTIONS

Choose from stylish arrays of classic, modern & fashionable fabrics that are hand picked to endure outdoor living. Available in colours and patterns to compliment your style and fit any environment.

FABRIC TYPE	R20	R22	R25	S18	S20
<b>Sunbrella</b> 100% Sunbrella solution dyed colour fast fabric is UV, water, mould & stain resistant. A real world leader in outdoor fabrics.	16732	16735	16738	16741	16744
<b>Primo</b> Primo fabric is a range of customized fabrics specifically made for shade	16733	16736	16739	16742	16745
<b>Syntec</b> Syntec fabric is completely water, soil and oil repellent.	16734	16737	16740	16743	16746

CANOPY ATTACHMENT METHOD



The canopy fabric comes fitted to the ribs by means of stainless steel eyelets. Making it a breeze should you wish to remove the fabric for cleaning or seasonal changes.

Eyelet - Solid Stainless Steel (A4 - #316) Rim Grommet with self-interlocking spur washer.

OEM Canopy attachment options include leather or self fabric pockets and Loxx system. For more info see chapter on OEM - page 92.

ACCESSORIES

Prolong the life of the fabric when not in use with a cover bag.

COVER BAGS	PVC	PRIMO	SUNBRELLA
HEAVY DUTY COVER BAG SMALL 1 (S18/S20/R20/R22/R25)	04282	04280	07989

CENTER POLE PARASOL  
PACKAGING, OEM REFERENCE & BRANDING OPTIONS

PACKAGING

Ensuring that your Swift centre pole parasol gets to you in the same state that it left us, beautifully. Separate packaging for bases.

CARTON PACKAGING	N° of BOXES	LENGTH	WIDTH	HEIGHT	WEIGHT	
FRAME	R20 Swift Canopy Fabric & Structure	1	98in / 249cm	7.5in / 19cm	7.5in / 19cm	13.4Lb / 6.1kg
	R22 Swift Canopy Fabric & Structure	1	98in / 249cm	7.5in / 19cm	7.5in / 19cm	16.3Lb / 7.4kg
	R25 Swift Canopy Fabric & Structure	1	98in / 249cm	7.5in / 19cm	7.5in / 19cm	18.0Lb / 8.2kg
	S18 Swift Canopy Fabric & Structure	1	98in / 249cm	7.5in / 19cm	7.5in / 19cm	16.7Lb / 7.6kg
	S20 Swift Canopy Fabric & Structure	1	98in / 249cm	7.5in / 19cm	7.5in / 19cm	6.3Lb / 7.4kg
BASES	HexCon Slab 1PS Base Slab (Small)	1	21.6in / 55cm	21.2in / 54cm	2.75in / 7cm	70.5Lb / 32kg
	HexCon Slab KDS Base Kit (Small)	1	20.6in / 52,5cm	21.6in / 55cm	2.75in / 7cm	44.1Lb / 20kg
	Round Metal Plate Base (Small - 406mmØ x 10mm)	1	17.7in / 45cm	17.7in / 45cm	3.1in / 8cm	24.2Lb / 11kg
	Square Metal Plate Base (625mm x 10mm & Rollers)	1	31.1in / 79cm	30.1in / 76.5cm	3.5in / 8.9cm	68.3Lb / 31kg
	Deck Mount (300x300 Adjustable)	1	13.4in / 34cm	13.4in / 34cm	4.3in / 11.5cm	15.4Lb / 7kg
	Table Clamp	1	7.8in / 20cm	5.1in / 13cm	5.1in / 13cm	1.63Lb / 0.74kg
ACC	32mm Tube Stand	1	12.4in / 31.5cm	3.7in / 9.5cm	3.7in / 9.5cm	1.67Lb / 0.76kg
	Heavy Duty Zip Cover bag Small 1	1	Usually packed with Parasol			0.9Lb / 0.44kg

All measurements and weights (imperial and metric) are approximate and shown as decimals. Woodline reserves the rights to change the details of its products and packaging at any time. The above table is to be used only as a guide.



OEM OPTIONS

Have a order worth customizing? To set yourself apart or simply to fit your environmental needs customize your Swift parasol order from canopy, to structure, right down to the bases with various functional, and elegant OEM treatments and touches. For more OEM information please see chapter on OEM - page 92. .

OEM BRANDING & PRINTING OPTIONS

Make the most of your parasols outdoor presence, by giving your brand its day in the sun, everyday.

- PRINTING ON TOPSIDE OF CANOPY.**  
 The top of the Swift's outstretched canopy offers prime real estate for outdoor branding. Visible from a distance and from above.
- PRINTING ON UNDERSIDE OF CANOPY.**  
 The underside of its canopy is a great space to get your brand's story or message across at close quarters.
- PRINTING ON COVER BAG**  
 Promote your brand outdoors even whilst your Swift canopy is safely stored.
- PRINTING ON ADDED VALANCE**  
 The vertical sides of a valance offer the perfect space to communicate your brand's message, directly in the line of sight and visible from a distance.

For more information see section on OEM Branding - page 90.





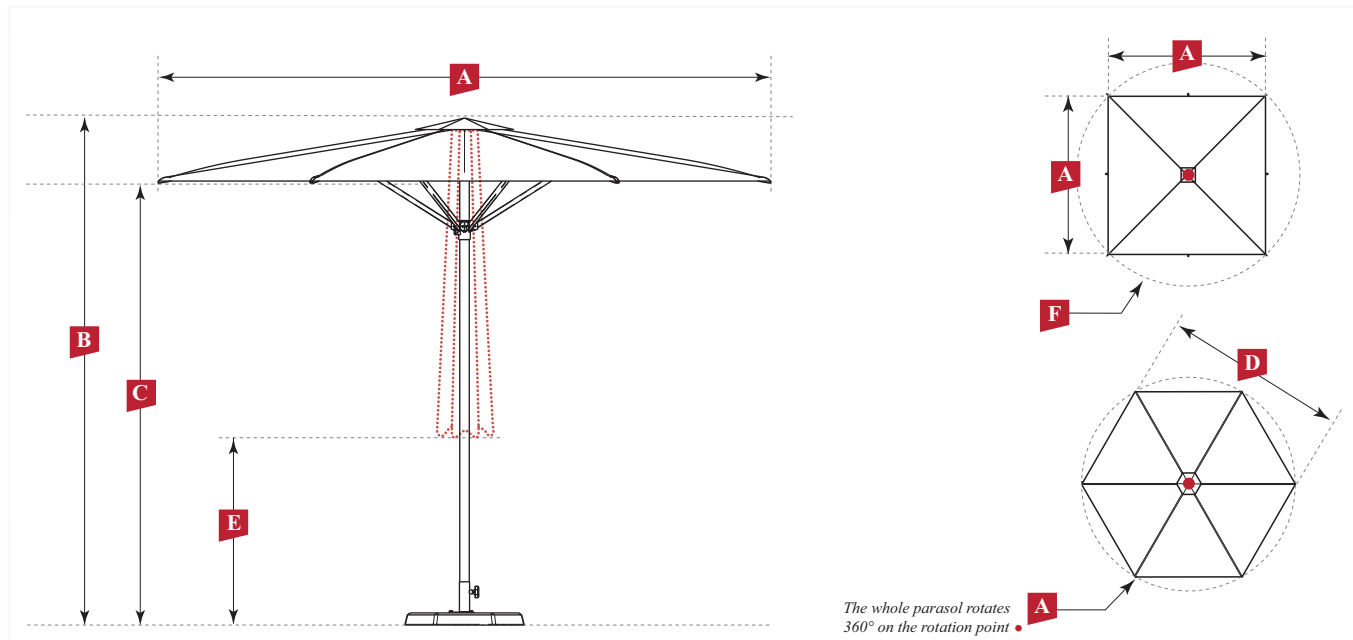
# TAKU RANGE

The Taku range of market parasols offers simple and effective design, engineered with fine workmanship from quality materials for long lasting service, at great value.

Featuring a ultra corrosion resistant construction of composite components, aluminium pole and ribs with stainless steel pulley system. The Taku is perfectly positioned for any budget.



CENTER POLE PARASOL  
SPECIFICATIONS & STRUCTURAL COMPONENTS



- A** Canopy size:  
Round – size is measured from tip to tip through the center  
Square – size is measured from tip to tip on one side  
Rectangle – size is measured from tip to tip on long side
  - B** Total height of structure without finial
  - C** Head clearance from canopy
  - F\*** This distance is measured from the pivot point to the farthest distance from this point on the parasol. The distance defines the radius of the circle created as the parasol rotates 360 degrees.
  - D** Minimum width of the rectangular canopy
  - E** Clearance when closed
  - F\*** Circumference clearance
  - Rotation point
- All vertical measurements are taken from the ground level, including free-standing base (130mm height).  
All measurements (imperial and metric) are approximate and shown as decimals. To be used only as a guideline.  
Indicates canopy sizes which are able to close above table tops.

SHAPE & POLE Ø	MODEL	PARASOL FRAME	CODE	A	B	C	D	E	F*
ROUND  Hexagonal - 6 Ribs - 2in / 48mm Pole Ø	R25	Aluminium	17170	8.3ft 2.5m	8.3ft 2.53m	6.75ft 2.06m	7.18ft 2.19m	3.8ft 1.18m	8.3ft 1.25m
	R27	Aluminium	17171	8.9ft 2.7m	8.3ft 2.53m	6.66ft 2.03m	7.7ft 2.35m	3.5ft 1.08m	8.9ft 1.35m
	R29	Aluminium	17172	9.5ft 2.9m	8.3ft 2.53m	7.25ft 2.16m	8.3ft 2.53m	3.2ft 1.0m	9.5ft 1.45m
	R30	Aluminium	17173	9.8ft 3.0m	8.3ft 2.53m	7.08ft 2.16m	8.5ft 2.6m	3.1ft 0.96m	9.8ft 1.5m
SQUARE  Square - 4 Ribs - 2in / 48mm Pole Ø	S19	Aluminium	17174	6.3ft 1.9m	8.3ft 2.53m	7.2ft 1.89m	NA	3.51ft 1.07m	4.5ft 1.38m
	S20	Aluminium	17175	6.56ft 2.0m	8.3ft 2.53m	6.43ft 1.96m	NA	3.1ft 0.96m	4.7ft 1.45m
	S22	Aluminium	17176	7.2ft 2.2m	8.3ft 2.53m	6.5ft 2.0m	NA	2.6ft 0.8m	5.1ft 1.5m
	S25	Aluminium	17177	8.2ft 2.5m	8.3ft 2.53m	6.69ft 2.04m	NA	2.4ft 0.75m	5.8ft 1.78m

COMPONENTS COMPOSITION OPTIONS

The Taku parasol's ribs and pole are made from corrosion resistant, light weight Aluminium with non corrosive composite upper and lower notches and Stainless Steel pin and rivets.



Taku Aluminium ribs & composite notches

CENTER POLE PARASOL  
BASE, MOUNTING & FABRIC OPTIONS



SUGGESTED FREE STANDING BASE SYSTEMS	WEIGHT	CODE	SUGGESTED POLE STANDS & MOUNTING OPTIONS	CODE
HexCon Slab 1PS Base Kit This hexagonal shaped, reinforced concrete slab is a classic it features a 1 piece 57mm Pole Stand with a hand wheel and shoehorn to tighten against Taku's centre pole and secure it.	32kg	16005	Deck-Mount - 300x300 Adjustable The 57mm Bolt-on Pole Stand (Ordered separately) is mounted through the wooden deck into the Universal Below Deck Bracket which is adjustable to fit between the decks supporting beams.	16126
HexCon Slab KDS Base Kit This hexagonal shaped, reinforced concrete slab is an update on a classic. Features a 48mm knock down Pole Stand with a hand wheel and shoehorn to tighten against Taku's centre pole and secure it.	20kg	16003	In-Ground Bayonet Pole Stand The 57mm In-Ground Bayonet Pole Stand secures the Taku's centre pole in the ground with a tightening hand wheel and a shoehorn for the perfect fit. A cap covers the hole when not in use.	16112
Round Metal Plate Base Round Metal Plate Base with a 57mm Pole Stand with hand wheel and shoehorn to fit the Taku's 48mm centre pole perfectly. Comes in various sizes for expected wind exposures.	11kg	16050	Ground Spike The Ground Spike secures the centre pole by being pushed into soft soil. A hand wheel tightens the shoehorn against the centre pole for the perfect.	16133
1PS Tri-Bolt Pole Stand This 57mm triangular 1 Piece Pole Stand mounts sturdily to solid concrete floors (at least 100mm deep, ≥35Mpa). The hand wheel tightens a shoehorn against the center pole for the perfect fit.		4353		

For more information and further anchoring options please see chapter on bases - page 80



FABRIC OPTIONS

Choose from stylish arrays of classic, modern & fashionable fabrics that are hand picked to endure outdoor living. Available in colours and patterns to compliment your style and fit any environment.

FABRIC TYPE	R25	R27	R29	R30	S19	S20	S22	S25
Sunbrella 100% Sunbrella solution dyed colour fast fabric is UV, water, mould & stain resistant. A real world leader in outdoor fabrics.	16747	16750	16753	16756	16759	16762	16765	16768
Primo Primo fabric is a range of customized fabrics specifically made for shade	14127	14129	16754	16757	14121	16763	14123	14124
Syntec Syntec fabric is completely water, soil and oil repellent.	14107	16752	14110	14111	14103	16764	14104	14106





CENTER POLE PARASOL  
CANOPY ATTACHMENT METHODS, ACCESSORIES & PACKAGING

CANOPY ATTACHMENT METHOD



The canopy fabric is fitted to its frame by means of self fabric arm pocket. Making it a breeze should you wish to remove the fabric for cleaning or seasonal changes.

OEM Canopy attachment options include leather or self fabric pockets and Loxx system.  
For more info see chapter on OEM - page 92.

ACCESSORIES

Prolong the life of the fabric when not in use with a cover bag.

COVER BAGS	PVC	PRIMO	SUNBRELLA
HEAVY DUTY COVER BAG SMALL 1 (R25, R27, R29, S19, S20)	04282	04280	07989
HEAVY DUTY COVER BAG SMALL 2 (R30, S25)	04283	04281	10831

PACKAGING

Ensuring that your Taku centre pole parasol gets to you in the same state that it left us, beautifully.  
Separate packaging for bases.

	CARTON PACKAGING	N° of BOXES	LENGTH	WIDTH	HEIGHT	WEIGHT
STRUCTURE	R25 Taku Canopy Fabric & Structure	1	98in / 249cm	7.5in / 19cm	7.5in / 19cm	16.5Lb / 7.5kg
	R27 Taku Canopy Fabric & Structure	1	98in / 249cm	7.5in / 19cm	7.5in / 19cm	16.9Lb / 7.7kg
	R29 Taku Canopy Fabric & Structure	1	98in / 249cm	7.5in / 19cm	7.5in / 19cm	17.4Lb / 7.9kg
	R30 Taku Canopy Fabric & Structure	1	98in / 249cm	7.5in / 19cm	7.5in / 19cm	21.6Lb / 9.8kg
	S19 Taku Canopy Fabric & Structure	1	98in / 249cm	7.5in / 19cm	7.5in / 19cm	14.5Lb / 6.6kg
	S22 Taku Canopy Fabric & Structure	1	98in / 249cm	7.5in / 19cm	7.5in / 19cm	16.7Lb / 7.6kg
	S25 Taku Canopy Fabric & Structure	1	98in / 249cm	7.5in / 19cm	7.5in / 19cm	17.3Lb / 7.8kg
BASES	HexCon Slab 1PS Base Slab (Small)	1	21.6in / 55cm	21.2in / 54cm	2.75in / 7cm	70.5Lb / 32kg
	HexCon Slab KDS Base Kit (Small)	1	20.6in / 52,5cm	21.6in / 55cm	2.75in / 7cm	44.1Lb / 20kg
	1PS Tri-Bolt Pole Stand	1	6.9in / 17.5cm	6.9in / 17.5cm	6.5in / 16.5cm	1.8Lb / 0.84kg
	Round Metal Plate Base (Small - 406mmØ x 10mm)	1	17.7in / 45cm	17.7in / 45cm	3.1in / 8cm	24.2Lb / 11kg
	Deck Mount (300x300 Adjustable)	1	13.4in / 34cm	13.4in / 34cm	4.3in / 11.5cm	15.4Lb / 7kg
	In-Ground Bayonet Pole Stand (Small)	1	7in / 92cm	4.72in / 12cm	2.76in / 7cm	8.8Lb / 4kg
	Table Clamp	1	7.8in / 20cm	5.1in / 13cm	5.1in / 13cm	1.63Lb / 0.74kg
	Ground Spike	1	21.2in / 54cm	4.3in / 11cm	3.5in / 9cm	1.67Lb / 0.76kg
ACCESSORIES	Heavy Duty Zip Cover bag Small Short	Cover Bags packed with Parasols				0.9Lb / 0.44kg
	Heavy Duty Zip Cover bag Small Long					1.1Lb / 0.5kg
	Heavy Duty Zip Cover bag Medium					1.6Lb / 0.74kg

All measurements and weights (imperial and metric) are approximate and shown as decimals. Woodline reserves the rights to change the details of its products and packaging at any time. The above table is to be used only as a guide.

CENTER POLE PARASOL  
OEM REFERENCE & OEM BRANDING OPTIONS



OEM OPTIONS

Have a order worth customizing? To set yourself apart or simply to fit your environmental needs customize your Safari parasol order from canopy, to structure, right down to the bases with various functional, and elegant OEM treatments and touches. For more OEM information please see chapter on OEM - page 92. .

OEM BRANDING & PRINTING OPTIONS

Make the most of your parasols outdoor presence, by giving your brand its day in the sun, everyday.

- **PRINTING ON TOPSIDE OF CANOPY.**  
The top of the Taku's outstretched canopy top offers prime real estate for outdoor branding. Visible from a distance and from above.
- **PRINTING ON UNDERSIDE OF CANOPY.**  
The underside of its canopy is a great space to get your brand's story or message across at close quarters.
- **PRINTING ON COVER BAG**  
Promote your brand outdoors even whilst your Taku's canopy is safely stored.
- **PRINTING ON ADDED VALANCE**  
The vertical sides of a valance offer the perfect space to communicate your brand's message, directly in the line of sight and visible from a distance.

For more information see section on OEM Branding - page 90.







# BASES

Woodline has created a wide range of base systems to anchor your shade exactly in the right spot. Browse our collections of free standing, mounted and speciality base systems and select from a range of material finishes to suit any environment and setting.

Woodline Tubes and Pole Stands are designed to be interchangeable on the majority of the base systems. They are available in various finishes including hot dipped galvanized (S\_HD-Gal) or powder coated (S\_PC) steel, and stainless steel with either a glass bead blasted (SS\_GBB), polished (SS\_POL) or powder coated (SS\_PC) finish. Hot dipped Galvanized steel is standard the others are available upon request.





WOODLINE ANCHORAGE  
FREE STANDING BASE OPTIONS



HexCon Slab 1PS Base Kit



1PS Tri-Bolt Pole Stand S\_HD-Gal



HexCon Slab KDS Base Kit



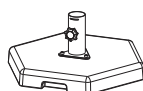
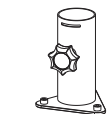
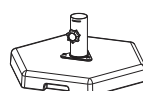
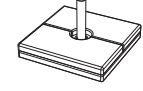
StackCon Slab Base



RecCon Slab Base



HAFCon Slab Base

FREE STANDING BASE SYSTEMS	MASS	SIZE in/mm	USED WITH	POLE Ø	TUBE Ø	PACKED SIZE			CODE	
						(L)	(W)	(H)		
<b>HexCon Slab 1PS Base Kit</b>  This classic hexagonal shaped, reinforced concrete base fits any centre pole parasol with various combinations of weights and tube size available for various wind exposures.  	70.5Lb 32kg	Small	Swift	1in 25mm	1.2in 32mm	21.6 x 21.2 x 2.7in 550 x 540 x 70mm Slab Only (Pole Stand packed separately, see dimensions below)			16067	
			Mistral, Safari	1.5in 38mm	1.8in 48mm				16004	
			Taku Only	1.8in 48mm	2.2in 57mm				16005	
	121Lb 55kg	Medium	Mistral	1.5in 38mm	1.8in 48mm	26.7 x 26.7 x 2.7in 680 x 680 x 70mm Slab Only			16006	
			Safari, Bravura	1.8in 48mm	2.2in 57mm	(Pole Stand packed separately, see dimensions below)			16007	
			Storm, Safari Bravura	2.4in 60mm	2.7in 70mm				16008	
	165Lb 75kg	Large	Mistral	1.5in 38mm	1.8in 48mm	30.7 x 30.7 x 2.7in 780 x 780 x 70mm Slab Only			16009	
			Safari, Bravura	1.8in 48mm	2.2in 57mm	(Pole Stand packed separately, see dimensions below)			16010	
			Storm, Safari Bravura	2.4in 60mm	2.7in 70mm				16011	
	<b>1PS Tri-Bolt Pole Stand</b>  The HexCon Slab 1PS Base kit comes with a one piece metal Pole Stand which is made from hot dipped galvanized steel (S_HD-Gal) as standard. 1PS Tri-Bolt Pole Stands can be purchased separately. Other surface finishes include... <ul style="list-style-type: none"> <li>• Powder coated steel (S_PC)</li> <li>• Glass bead blasted Stainless steel (SS_GBB)</li> <li>• Polished Stainless steel (SS_Pol)</li> <li>• Powder coated Stainless steel (SS_PC)</li> </ul> 	1.8Lb 0.84kg	Small	Swift	1in 25mm	1.2in 32mm	6.9 x 6.9 x 6.5in 175 x 175 x 165mm			16150
1.9Lb 0.86kg		Medium	Mistral, Safari	1.5in 38mm	1.8in 48mm				4353	
			Taku, Safari, Bravura	1.8in 48mm	2.2in 57mm	6.9 x 6.9 x 6.5 175 x 175 x 165			7709	
4.1Lb 1.88kg		Large	Storm, Safari Bravura	2.4in 60mm	2.7in 70mm	8.8 x 8.8 x 10.4 225 x 225 x 265			7708	
<b>HexCon Slab KDS Base Kit</b>  This classic hexagonal shaped, reinforced concrete base features a knock down Pole Tube that is Hot dipped galvanized (HD_Gal) as standard. It can be completely assembled from above. Available in two weights for light to moderate winds with two recommended tube sizes.  Other Pole Tube finishes are available on request, including... <ul style="list-style-type: none"> <li>• Polished Stainless steel (SS_Pol)</li> <li>• Powder coated Stainless steel (SS_PC)</li> </ul> 	44Lb 20kg	Small	Swift	1in 25mm	1.2in 32mm	20.6 x 21.6 x 2.7in 525 x 550 x 70mm			16066	
	66Lb 30kg		Medium	Mistral	1.5in 38mm	1.8in 48mm				16000
				Taku Only	1.8in 48mm	2.2in 57mm				16001
	353 Lb 160kg	29.9' x 5.5in 762' x 140mm	Safari, Bravura, Storm	2.4in 60mm	2.7in 70mm	29.9 x 29.9 x 5.5in 760 x 760 x 140mm Slabs only			16038	
			Piccollo							
<b>StackCon Slab Base</b>  This stackable base system can be added to modularly to increase weight for various wind conditions. The first layer is a square shaped reinforced concrete base slab, fitted with either a Pole Stand for centre pole shades, or Spigot Pole for cantilever shades (included with parasol, packed separately.) Two half slabs (or more on request) are then layered on top of the base slab.  	198.4Lb 90kg	36.2 x 17.3 x 3.5in 920 x 440 x 90mm	Papillon	2.4in 60mm	2.7in 70mm	36.2 x 17.3 x 5.9in 920 x 440 x 150mm Slab Only  (Pole Stand packed separately, see Stands dimensions)			16039	



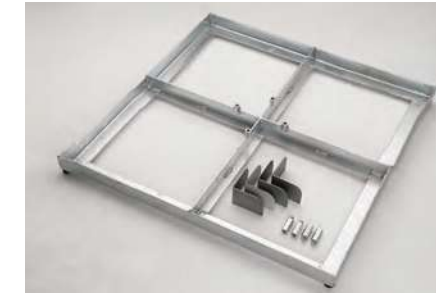
QuattroCon Base



QuattroCon Grande Base



Movable QuattroCon & QuattroCon Grande Frames




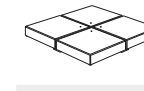


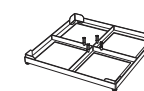

Paver Frame Base - single with double layer extension kit



Double Paver Fame Kit (Example with Pavers)



Aluminium Shell Base

FREE STANDING BASE SYSTEMS	MASS	SIZE in/mm	USED WITH	POLE Ø	TUBE Ø	PACKED SIZE			CODE
						(L)	(W)	(H)	
<b>HAFCon Base</b>  The Height Adjustable Frame & Concrete Slab Base consists of a S_HD-Gal metal frame with 4 corner height adjustable sliders, 4 reinforced concrete slabs with stainless steel inset handles and a base plate that can fit any Pole Stand or Spigot Pole (purchased separately). For special design demand refer to OEM.  	300Lb 136kg	35.4in <sup>2</sup> 900mm <sup>2</sup>	Safari, Bravura, Storm, Picollo, Pendulum	2.4in 60mm	2.7in 70mm	Slabs 20 x 20 x 12.2in 510 x 510 x 310mm			16040
						Frame 35.8 x 35.8 x 2.0in 910 x 910 x 52mm			
<b>QuattroCon Base</b>  Crisp and clean this base system consists of a metal frame which houses 4 reinforced concrete slabs (included with base), each with a height adjustable slider. A base plate is bolted directly to the slabs to which a Picollo Spigot Pole or Pole Stand for Center Pole parasols can be fitted (purchased separately).  	130kg	29.5in <sup>2</sup> 750mm <sup>2</sup>	Safari, Bravura, Storm, Picollo.	2.4in 60mm	2.7in 70mm	Slabs 4 off 16.7 x 16.7 x 3.9in 43.5 x 43.5 x 10mm			16041
						Frame 31.5 x 9 x 3.9in 80 x 23 x 10mm			
<b>QuattroCon Grande Base</b>  Crisp and clean this base system consists of a metal frame which houses 4 reinforced concrete slabs (included with base), each with a height adjustable slider. A base plate is bolted directly to the slabs to which a Pendulum Spigot Pole (Included with structures) or Pole Stand for Center Pole parasols can be fitted.  	352.7Lb 173kg	35.0in <sup>2</sup> 890mm <sup>2</sup>	Pendulum	2.7in 70mm	3in 76mm	Slabs 4 off 18.7 x 18.7 x 3.9in 475 x 475 x 100mm			16042
						Frame 36.8 x 9.4 x 5.4in 935 x 240 x 13.7mm			
<b>Movable QuattroCon &amp; QuattroCon Grande Frame Base</b>  The Movable frame with lockable wheels is a mobile frame option that houses the QuattroCon or QuattroCon Grande Slabs (included with base). A base plate is bolted directly to the slabs to which the Spigot Poles or Pole Stands (not included) can be fitted. (Only the frame shown here).  	(Frame) 55.1Lb 25kg	40.3in <sup>2</sup> 1025mm <sup>2</sup>	QuattroCon	2.4in 60mm	2.7in 70mm	Frame 41.3 x 41.3 x 2.5in 1050 x 1050 x 65mm Slabs see above			16043
	(Frame) 66.1Lb 30kg					QuattroCon Grande	Frame 45.2 x 45.2 x 2.5in 1150 x 1150 x 65mm Slabs see above		
<b>Paver Frame Base (Single or Double) Available with wheels</b>  The Paver Frame Base consists of a HD Gal metal frame that houses standard 40.6mm <sup>2</sup> paver slabs. To reduce shipping costs pavers can be purchased separately near installation location. Alternatively pavers can be included with base on special request. The frame houses either a single layer of 4 pavers (single layer ≥ 120kg/264.5Lb) or a double layer stack of 8 pavers (double layer ≥ 240kg/529Lb with the aid of an extension kit). (Frame with extension kit for Double shown here) is available with lockable wheels.  	(Frame) 48.2Lb 21.9kg	35.4in <sup>2</sup> 900mm <sup>2</sup>	Safari, Bravura, Storm	1.8in 48mm	2.2in 57mm	31.8 x 31.8 x 2.9in 915 x 915 x 85mm			16045
	(Double extension kit) 0.4Lb 0.2kg			Storm, Picollo, Pendulum	2.4in 60mm				
								16046 incl Wheels	
<b>Aluminium Shell Base</b>  This inventive base kit consists of an Aluminium shell, reinforcing wire grid and fittings to create a concrete (separately purchased) filled base. Great saver on weight allocated shipping cost. Able to be fitted with any Woodline Pole Stand, Spigot or Pole Tube. Recommended for larger shade system.  	12.3Lb 5.6kg	23.6in <sup>2</sup> 600mm <sup>2</sup>	Safari, Bravura, Storm, Picollo	2.4in 60mm	2.7in 70mm	2.4 x 2.4 x 3.9in 610 x 610 x 100mm			16048
	14.1Lb 6.4kg	31.5in <sup>2</sup> 800mm <sup>2</sup>	Pendulum	2.4in 60mm	2.4in 60mm	31.8 x 31.8 x 3.9in 810 x 810 x 100mm			16049





WOODLINE ANCHORAGE  
FREE STANDING BASE OPTIONS



Round Metal Plate Base (S\_HD-Gal) with Pole Tube (ss\_Pol)



Square Metal Plate (s\_PC) with Rollers & Pole Tube (s\_PC)



Double Stack SQ. Metal Plate (s\_Gal) with Pendulum Spigot Sleeve



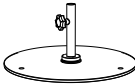

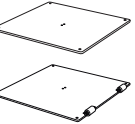

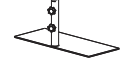
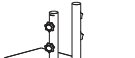
Rectangular Metal Plate (s\_PC)



Double Stack Rec. Metal Plate (S\_HD-Gal)



Double Stack SQ. Metal Plate (S\_HD-Gal) Height Adjustable Slider

FREE STANDING BASE SYSTEMS	SIZE in/mm	USED WITH	MASS	PLATE PACKED SIZE			CODE
				(L)	(W)	(H)	
<b>Round Metal Plate Base</b>  <p>The Round Metal Plate Base comes in various sizes for various wind exposures. The metal plate is made from steel which is powder coated (S_PC) as standard. It can also be bolted to the floor if preferred. Alternative materials and finishes are available on request such as hot dipped galvanized steel (S_HD-Gal) or stainless steel with either a glass bead blasted (SS_GBB), polished (SS_Pol) or powder coated (SS_PC) finish.</p> <p>Metal plates can be fitted with any of the Woodline Pole Tubes at various heights and diameters to fit the appropriate shade's center pole diameter. For more information please refer to Pole Tube at the end of this chapter.</p>	16Ø x 0.39 406Ø x 10	Centre Pole Shades	24.2Lb 11kg	17.7 x 17.7 x 3.1in 450 x 450 x 80mm			16050
	16Ø x 0.47 406Ø x 12		28.6Lb 13.2kg	16051			
	20Ø x 0.39 508Ø x 10		37.4Lb 17kg	20.2 x 20.2 x 3.1in 515 x 515 x 80mm			16052
	20Ø x 0.47 508Ø x 12		37.4Lb 20.4kg	16053			
	24Ø x 0.39 609Ø x 10		55.1Lb 25kg	25.6 x 25.6 x 1.7in 650 x 650 x 45mm			16054
	24Ø x 0.47 609Ø x 12		55.1Lb 30kg	16055			
<b>Double Stack Rnd. Metal Plate Base</b>  <p>Similar to the round metal plate but with a larger bottom plate and a smaller top plate which are bolted together with the Pole Stand.</p>	16Ø x 0.78 406Ø x 20	Centre Pole Shades	36.3Lb 16.5kg	17.7 x 17.7 x 6.2in 450 x 450 x 160mm			16069
	20Ø x 0.78 508Ø x 20		59.5Lb 27kg	20.2 x 20.2 x 6.2in 515 x 515 x 160mm			16070
	24Ø x 0.78 609Ø x 20		88.1Lb 40kg	25.6 x 25.6 x 6.2in 650 x 650 x 160mm			16071
<b>Square Metal Plate Base (Available with Rollers)</b>  <p>The Square Metal Plate Base comes in various sizes for various wind exposures. Selected sizes are available with roller wheels to aid in mobility. It can also be bolted to the floor if preferred. The metal plate is made from steel which is powder coated (S_PC) as standard. Alternative materials and finishes are available on request such as hot dipped galvanized steel (S_HD-Gal) or stainless steel with either a glass bead blasted (SS_GBB), polished (SS_Pol) or powder coated (SS_PC) finish.</p>	24.6 <sup>2</sup> x 0.39 625 <sup>2</sup> x 10	Centre Pole Shades	66.1Lb 30kg	26.9 x 26.9 x 2.3in 685 x 685 x 60mm			16056 incl Roller 16057
	24.6 <sup>2</sup> x 0.47 625 <sup>2</sup> x 12		75.6Lb 34.3kg	26.9 x 26.9 x 2.3in 685 x 685 x 60mm			16058
	27.5 <sup>2</sup> x 0.39 700 <sup>2</sup> x 10		92.6Lb 42kg	29.9 x 29.9 x 2.3in 760 x 760 x 60mm			16059 incl Roller 16060
	31.5 <sup>2</sup> x 0.39 800 <sup>2</sup> x 12		134.9Lb 61.2kg	33.8 x 33.8 x 2.3in 860 x 860 x 60mm			16061
<b>Double Stack SQ. Metal Plate Base</b>  <p>The Double Stack Square Metal Plate Bases is designed for the Piccolo &amp; Pendulum Cantilever ranges and is also able to mount any of the Woodline bolt-on Pole Stands to fit the any of the Woodline shades.</p>	31.5 <sup>2</sup> x 0.94 800 <sup>2</sup> x 24	Storm, Piccolo	270Lb 122.5kg	33.8 x 33.8 x 2.3in 860 x 860 x 60mm			16062
	37.4 <sup>2</sup> x 1.1 950 <sup>2</sup> x 30	Pendulum Cantilever Shade	518Lb 235kg	39.3 x 39.3 x 6.49in 980 x 980 x 165mm			16063
<b>Rectangular Metal Plate Base</b>  <p>Rectangular Metal Plate Base mounted with a 70mm metal stand that fits the Papillon shade. Can be bolted to the floor for extra stability.</p>	43.3 x 15.7 x 0.39in 1100 x 400 x 10mm	Papillon	88.1Lb 40kg	43.9 x 18.3 x 1.1in 1115 x 465 x 30mm			16064
<b>Double Stack Rec. Metal Plate</b>  <p>Double Stack Rec. Metal Plate consists of two stacked rectangular metal plates. For end on end arrangement of the Papillon shade the plates are able to mount two 70mm metal Pole Stands. Can be bolted to the floor for extra stability.</p>	43.3 x 15.7 x 0.7in 1100 x 400 x 20mm	Papillon	176.3Lb 80kg	43.9 x 18.3 x 1.5in 1115 x 465 x 40mm			16065

WOODLINE ANCHORAGE  
MOUNTING OPTIONS



Deluxe Bolt-on Pole Stands (ss\_GBB)



Rope Lock Bolt-on Stands (ss\_GBB)



Bayonet In-Ground Pole Tube (ss\_GBB)



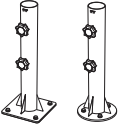
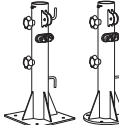




Deluxe Bayonet In-Ground Pole Tube (ss\_GBB)



Underground Mount - Round (S\_HD-Gal)



Solid Floor Mount - Round (s\_PC)

MOUNTING SYSTEMS	SIZE in/mm	USED WITH	POLE Ø	TUBE Ø	MASS	PACKED SIZE			CODE
						(L)	(W)	(H)	
<b>Deluxe Bolt-on Pole Stand - Square (S) / Round (R)</b>  <p>The Deluxe Bolt-on Pole Stand is designed to be used in conjunction with the Woodline mounting systems such as the free standing bases, Deck Mount, Underground Mount and Solid Floor Mount. Available with a Square or Round plate in various sizes and finishes, Able to withstand higher wind conditions with two tightening hand wheels and a long shoehorn to secure the parasols centre pole firmly.</p>	Small	Mistral, Swift	1.5in 38mm	1.8in 48mm	9.4Lb 4.4kg	22.4 x 8.6 x 8.4in 570 x 220 x 215mm			S) 16100 R) 16101
	Medium	Safari, Bravura	1.8in 48mm	2.2in 57mm	9.7Lb 4.4kg	22.4 x 8.6 x 8.4in 570 x 220 x 215mm			S) 16102 R) 16103
	Large	Storm, Safari, Bravura	2.4in 60mm	2.7in 70mm	9.9Lb 4.4kg	22.4 x 8.6 x 8.4in 570 x 220 x 215mm			S) 16104 R) 16105
						22.4 x 8.6 x 8.4in 570 x 220 x 215mm			S) 16106 R) 16107
	<b>Rope Lock Bolt-on Pole Stand - Square (S) / Round (R)</b>  <p>The Rope Lock Deluxe Bolt-on Pole Stand is designed to be used in conjunction with the Woodline mounting systems such as the free standing bases, Deck Mount, Underground Mount and Solid Floor Mount. Available with a Square or Round plate in various sizes and finishes, Able to withstand higher wind conditions with two tightening hand wheels and a long shoehorn to secure the parasols centre pole firmly.</p>	Small	Mistral, Swift	1.5in 38mm	1.8in 48mm	11.4Lb 5.2kg	22.4 x 8.6 x 8.4in 570 x 220 x 215mm		
Medium		Safari, Bravura	1.8in 48mm	2.2in 57mm	11.4Lb 5.2kg	22.4 x 8.6 x 8.4in 570 x 220 x 215mm			S) 16110 R) 16111
Large		Storm, Safari, Bravura	2.4in 60mm	2.7in 70mm	11.4Lb 5.2kg	22.4 x 8.6 x 8.4in 570 x 220 x 215mm			S) 16112
<b>Bayonet In-Ground Pole Tube</b>  <p>The In-Ground Bayonet Pole Stand consist of two stainless steel parts, the in-ground tube (to be concreted into the ground) and the 700mm / 27.5in Bayonet tube (that slides into the in-ground tube and fastens to the in-ground tube with a bayonet when twisted). The Shade's centre pole is then inserted into the bayonet tube and held in place with a shoehorn and a single tightening hand wheel.</p>	Small	Mistral, Swift, Safari, Bravura	1.5in 38mm	1.8in 48mm	8.8Lb 4kg	36.2 x 4.7 x 2.7in 920 x 120 x 70mm			16112
	Medium	Safari, Bravura	1.8in 48mm	2.2in 57mm	12.1Lb 5.5kg	40.9 x 5.1 x 3.7in 1040 x 130 x 95mm			16113
	Large	Safari, Bravura	2.4in 60mm	2.7in 70mm	14.3Lb 6.5kg	40.9 x 5.1 x 3.7in 1040 x 130 x 95mm			16114
<b>Deluxe Bayonet In-Ground Pole Tube</b>  <p>The Deluxe In-Ground Bayonet Pole Stand consists of two stainless steel parts, the in-ground tube (to be concreted into the ground) and the 975mm / 38.3in Bayonet tube (that slides into the in-ground tube and fastens to the in-ground tube with a bayonet when twisted). The Shade's centre pole is then inserted into the bayonet tube and held in place with a shoehorn and two tightening hand wheels.</p>	Small	Mistral, Swift, Safari, Bravura	1.5in 38mm	1.8in 48mm	12.7Lb 5.7kg	41.3 x 5.1 x 3.5in 1050 x 130 x 90mm			16115
	Medium	Safari, Bravura	1.8in 48mm	2.2in 57mm	12.7Lb 5.7kg	41.3 x 5.1 x 3.7in 1050 x 130 x 95mm			16116
	Large	Storm, Safari, Bravura	2.4in 60mm	2.7in 70mm	12.7Lb 5.7kg	41.3 x 5.3 x 3.7in 1050 x 135 x 95mm			16117
<b>Underground Mount - Square (S) / Round (R)</b>  <p>The Underground Mount to be concreted into the ground. Designed to be compatible with any of the Woodline Shade Solutions by means of a Bolt-on Pole Stand for centre &amp; dual pole shades or Spigot Poles for the Cantilever shade ranges.</p>	6.3in Ø 160mm Ø	Any of the Woodline Centre pole, Dual Pole or Cantilever Shade solutions	Compatible with any Woodline Shade Solutions by means of a Bolt-on Pole Stand, Pole Tube or Spigot Poles.	13.2Lb 6kg	22 x 8.2 x 8.2in 560 x 210 x 210mm			S) 16118 R) 16119	
	7.8in Ø 200mm Ø				19.1Lb 8.7kg	22 x 8.2 x 8.2in 810 x 210 x 210mm			S) 16120 R) 16121
<b>Solid Floor Mount - Square (S) / Round (R) Base Plate</b>  <p>Consists of a square Base Plate or a round Universal Mount Plate, bolted directly to the floor with raw bolts. Solid flooring to be at least 100mm deep by 600mm<sup>2</sup> at 35Mpa. Compatible with any Woodline Shade system via Bolt-on Pole Stands or Spigot Poles.</p>	6.3in <sup>2</sup> Ø 160mm <sup>2</sup> Ø	Any of the Woodline Centre pole, Dual Pole or Cantilever Shade solutions	Compatible with any Woodline Shade Solutions by means of a Bolt-on Pole Stand, Pole Tube or Spigot Poles.	5.3Lb 2.4kg	7.8 x 7.4 x 1.1in 200 x 190 x 30mm			S) 16122 R) 16123	
	7.8in <sup>2</sup> Ø 200mm <sup>2</sup> Ø			6.4Lb 2.9kg	9.8 x 8 x 1.1in 250 x 205 x 30mm			S) 16124 R) 16125	






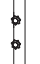


WOODLINE ANCHORAGE MOUNTING SYSTEMS



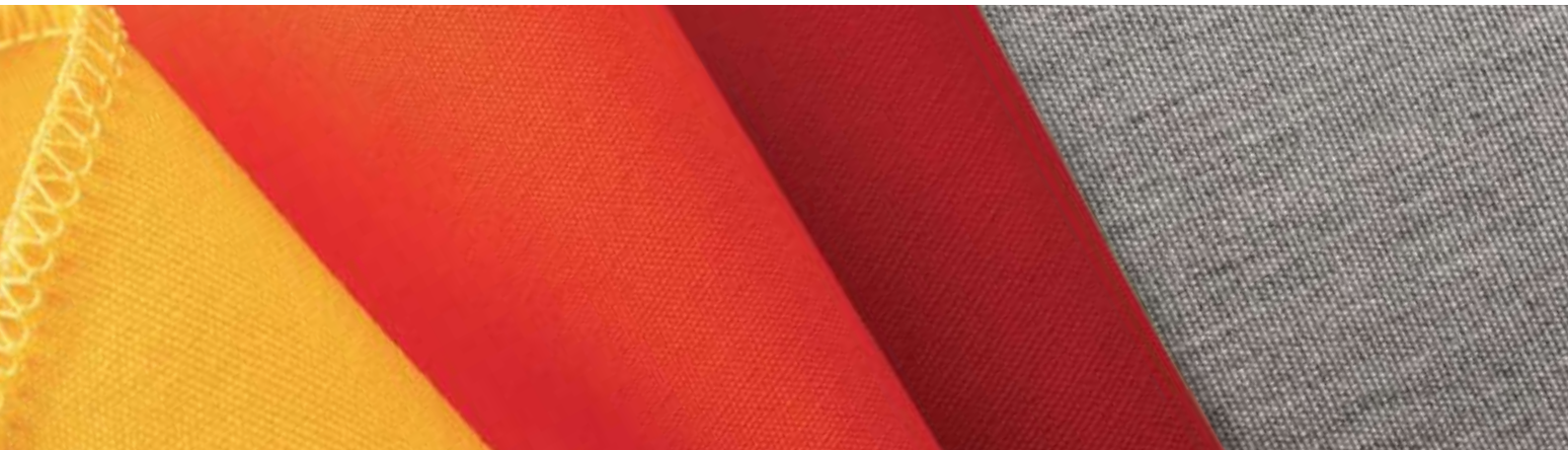
MOUNTING SYSTEMS	SIZE in/mm	USED WITH	MASS	PACKED SIZE			CODE		
				(L)	(W)	(H)			
<b>Deck Mount</b>  <p>The adjustable below deck mounting bracket is bolted between the framework of supporting beams under a wooden deck. The Universal Mounting Plate is then mounted from above through the deck into the Universal Below Deck Bracket.</p>	11.8 x 11.8 x 2.9 300 x 300 x 75	Any of the Woodline centre pole, dual pole or cantilever shade solution	15.4Lb 7 kg	13.3 x 13.3 x 4.5in 340 x 340 x 115mm	16126				
	17.7 x 11.8 x 3.3 450 x 300 x 85		31.9Lb 14.5kg	18.5 x 13.39 x 4.72in 470 x 340 x 120mm	16127				
<b>Piccolo Wall Mount Bracket- Tilt / Non Tilt</b>  <p>The Piccolo Wall Mount allows the supporting arm of the Piccolo's canopy to be mounted to a solid vertical wall by means of a Wall Mount Bracket. To use the Piccolo's tilt feature the Wall Mount Bracket - Tilt is necessary (not available with the Piccolo R35). Alternatively the Wall Mount Non Tilt Bracket is used for the Piccolo Non Tilt.</p>	9.7 x 10.2 x 10.6 248 x 260 x 270	Piccolo Tilt	16.5Lb 7.5kg	11.8 x 10.2 x 10.6in 300 x 260 x 270mm	16128				
	7 x 10.2 x 10.6 180 x 260 x 270	Piccolo Non Tilt	15.4Lb 7kg	11.8 x 10.2 x 10.6in 300 x 260 x 270mm	16129				
<b>Pendulum Wall Mount Bracket</b>  <p>The Pendulum Wall Mount allows the supporting arm of the Pendulum's canopy to be mounted against a wall by means of a bracket.</p>	16.9 x 15.3 x 11.8 430 x 390 x 300	Pendulum	48.5Lb 18kg	17.7 x 12.4 x 4.7in 450 x 315 x 120mm	16130				
SPECIALITY MOUNTED SYSTEMS	SIZE	USED WITH	POLE Ø	TUBE Ø	MASS	PACKED SIZE			CODE
<b>Table Clamp</b>  <p>The Table Clamp can be mounted to any table top (either from above or below) with hole. The parasol's centre pole is secured with the shoehorn which is tightened by a single hand wheel.</p>	Small	Mistral, Swift	1.5in 38mm	1.8in 48mm	1.63Lb 0.74kg	7.8 x 5.1 x 5.1in 200 x 130 x 130mm			16131
	Medium	Safari, Bravura	1.8in 48mm	2.2in 57mm	1.63Lb 0.74kg				16132
<b>Ground Spike</b>  <p>The Ground Spike secures the centre pole by being pushed into soft soil. A Shoehorn is tightened against the centre pole with a hand wheel.</p>	Small	Mistral, Swift	1.5in 38mm	1.8in 48mm	1.67Lb 0.76kg	21.2 x 4.3 x 3.5in 540 x 110 x 90mm			16133
	Medium	Taku, Safari, Bravura	1.8in 48mm	2.2in 57mm	1.67Lb 0.76kg				16134
<b>Piccolo Spigot Pole - Square (S) / Round (R)</b>  <p>The Piccolo Spigot is mounted to various free standing base, deck mount, solid floor mount and Underground Mounting options.</p>	20.1 x 7.9 510 x 200	Piccolo Only	2.4in 60mm	2.7in 70mm	8.8Lb 4.0kg	22.4 x 8.6 x 8.6in 570 x 220 x 220mm			S) 16135
									R) 16136
<b>Pendulum Spigot - Square (S) / Round (R)</b>  <p>The Pendulum Spigot is mounted to various free standing base, deck mount, solid floor mount and Underground Mounting options.</p>	20 x 7.9 508 x 200	Pendulum Only	2.4in 60mm	2.7in 70mm	8.8Lb 4.0kg	22.4 x 8.6 x 8.6in 570 x 220 x 220mm			S) 16137
									R) 16138



POLE TUBE SIZES	SIZE in / mm	USED WITH	POLE Ø	TUBE Ø	MASS	PACKED SIZE			CODE	
						(L)	(W)	(H)		
<b>Pole Tube - 32mm - Short Length</b>  <p>The short Pole Tube is 9.8in / 250mm high and made from polished stainless steel stainless steel (SS_GBB) as standard. A single hand wheel tightens a shoehorn.</p>	9.8in 250mm	Swift	1.2in 32mm	1in 25mm	1.5Lb 0.7kg	12.4 x 3.7 x 3.7in 315 x 95 x 95			16145	
<b>Pole Tube - Short Length</b>  <p>The short Pole Tube is 10.6in / 270mm high and made from polished stainless steel stainless steel (SS_Pol) as standard. A single hand wheel tightens a shoehorn (shoehorn n/a for the Taku) against the center pole to secure it. Other finishing options include...</p> <ul style="list-style-type: none"> <li>Glass bead blasted (SS_GBB)</li> <li>Powder coated stainless steel (SS_PC)</li> </ul>	10.6in 270mm	Mistral, Swift	1.5in 38mm	1.8in 48mm	1.9Lb 0.9kg	12.6 x 3.7 x 3.7in 320 x 95 x 95mm			16139	
			Taku, Safari, Bravura	1.8in 48mm	2.2in 57mm				1.9Lb 0.9kg	16140
			Safari, Bravura, Storm	2.4in 60mm	2.7in 70mm				1.9Lb 0.9kg	16141
<b>Pole Tube - Medium Length</b>  <p>The medium Pole Tube is 15.7in / 400mm high and made from polished stainless steel stainless steel (SS_Pol) as standard. A single hand wheel to tightens a shoehorn is against the center pole. Other finishing options include...</p> <ul style="list-style-type: none"> <li>Polished stainless steel (SS_Pol)</li> <li>Powder coated stainless steel (SS_PC)</li> </ul>	15.7in 400mm	Mistral, Swift	1.5in 38mm	1.8in 48mm	3.5Lb 1.6kg	20 x 4.3 x 3.5in 510 x 110 x 90mm			16142	
			Safari, Bravura	1.8in 48mm	2.2in 57mm				5.3Lb 2.4kg	16146
<b>Pole Tube - Long Length</b>  <p>The long Pole Tube is 27.5in/500mm high and made from polished stainless steel stainless steel (SS_Pol) as standard. Two hand wheels tighten a shoehorn against the center pole to secure it. Other finishing options include...</p> <ul style="list-style-type: none"> <li>Glass bead blasted (SS_GBB)</li> <li>Powder coated stainless steel (SS_PC)</li> </ul>	27.5in 500mm	Safari, Bravura	1.8in 48mm	2.2in 57mm	5.3Lb 2.4kg	20 x 4.3 x 3.5in 510 x 110 x 90mm			16143	
			Safari, Bravura, Storm	2.4in 60mm	2.7in 70mm				5.3Lb 2.4kg	16144



FABRIC COLOURS & THREAD



FABRIC & COLOURS

*Tested under the African sun and around the world, Woodline has selected from the finest outdoor fabrics the world has to offer and uses only the most resilient.*

• **SUNBRELLA**

100% Sunbrella solution dyed colour fast fabric is UV, water, mould & stain resistant. A real world leader in outdoor fabrics.



**EARTH RANGE:**

Natural	5404	
Canvas	5453	
Antique Beige	5422	
Arbor Pebble	48009	
Namib	7001	
Vanilla	7002	
Silver Grey	3741	
Stonegrey	7003	
Heather Beige	5476	
Taupe	3729	
Black	5408	

**WATER RANGE:**

Celeste Blue	3714	
Capri	5426	
True Blue	5499	
Navy	5439	
Sky Blue	5424	
Blue Smoke	5730	
Mineral Blue	5420	
Riveira Blue	3717	
Pacific	5401	

**AIR RANGE:**

Aqua	3743	
Aruba	5416	
Spa	5413	
Forest Green	5446	
Macao	3738	
Celadon	5419	
Stone Green	5473	

**FIRE RANGE:**

White Sand	3704	
Buttercup	5438	
Sunflower	5457	
Tuscany	5417	
Clay Court	3744	
Burgundy	5436	

**SUNBRELLA® CHARACTERISTICS**

- Fade resistant
- Water-repellant
- Resist mildew
- Breathable
- Resists stains
- Easy to clean

• **PRIMO**

Woodline's Primo fabric is Primo fabric is a range of customized fabrics specifically made for shade

• **SYNTEC**

White	A01		Brick	A08	
Ecru	A02		Burgundy	A09	
Eggshell	A03		Emerald Green	A10	
Ivory	A04		Bottle Green	A11	
Sand	A05		Royal Blue	A12	
Yellow	A06		Navy	A13	
Red	A07		Black	A14	

Syntec outdoor fabrics are made from polyester and are completely water, soil and oil repellent.

SEWING THREAD

*When it comes to parasol canopies even the best fabric in the world is only as good as the thread that binds it, that is why we only use thread that is strong enough to hold through extreme climates. Thread that is made to last and will not fade in the sun. Seralon by Amann is just such a thread. Its 3ply continuous filament construction has a 55.5N tensile strength rating and comes in a range of fade resistant colours. Please see OEM section on page 92 for thread options.*




FABRIC & WOODEN ACCESSORIES

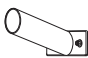
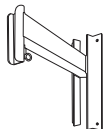
CANOPY & FABRIC ACCESSORIES								
Description / Fabric	Sunbrella		Primo		Syntec		PVC	
VALANCE SMALL 300mm / 11.8in - (R27 / R29 / S18 / S19 / S20)	16936		16937		16938		NA	
VALANCE MEDIUM 300mm / 11.8in - (R30 / R35 / S22 / S23 / S25 / S285 / R22X3 / R22X33)	16939		16940		16941		NA	
VALANCE LARGE 300mm / 11.8in - (R40 / R50 / S29 / S30 / S35 / S38 / S285 / R25X25 / R3X4 / R32X43)	16942		16943		16944		NA	
COVER BAG SMALL SHORT (R27 / R29 / S18 / S19 / S20 / S22)	16956		08560		08384		08385	
COVER BAG SMALL LONG (S25 / R2X3 / R22X3)	16960		16961		16962		16963	
Cover Bag Medium (R30 / R35 / S285 / S29 / R22x33 / R25x35)	16964		16965		16966		16967	
COVER BAG LARGE (R40 / R50 / S30 / S35 / S38 / R3x4 / R32x43)	16968		16969		16970		16971	
PAPILLON SPECIFIC	3 x 4	3 x 5	3 x 4	3 x 5	3 x 4	3 x 5	3 x 4	3 x 5
PAPILLON COVER BAG	15012	08560	08384	08385	16974	16975	16976	16977
PAPILLON GUTTER	09547	16931	09548	16933	16934	16935	NA	
PAPILLON SIDE WALL	09546	16911	08013	16913	15011	16915	NA	
PAPILLON END WALL (2 PER SET)	09549		16921		16922		NA	



WOODEN ACCESSORIES

WOODEN FINIALS		SMALL	MEDIUM	LARGE
	Wooden Finials Cap off your parasols canopy smartly with a wooden finial that is mounted to the center pole canopy structure.	04968	04967	04966

STORAGE ACCESSORIES

PICOLLO STORAGE BRACKET	CODE	PENDULUM STORAGE BRACKETS	CODE
	Piccolo Storage Bracket 16900 The Piccolo canopy assembly can easily be detached, and reattached to the parasol structure. The stainless steel Storage Bracket is used to hang the entire Piccolo canopy assembly on when not in use. It is mounted to a solid wall.		Pendulum Storage Bracket 16901 The Pendulum canopy assembly can easily be detached, and reattached to the parasol structure. The stainless steel Storage Bracket is used to hang the entire Pendulum canopy assembly on when not in use. It is mounted to a solid wall.





OEM BRANDING & PRINTING OPTIONS

*Make the most of your parasols outdoor presence by giving your brand its day in the sun, everyday. The quality and engineering of our parasol frames, coupled with the ease of which the canopies can be attached and replaced for various marketing messages through the years make our parasols the best solution for your functional outdoor branding.*

- PRINTING ON TOPSIDE OF CANOPY.**  
 The parasols outstretched canopy offers prime outdoor branding real estate. Visible from a distance and from above, make the most of your parasols outdoor exposure by printing on the topside of your parasols canopy.
- PRINTING ON UNDERSIDE OF CANOPY.**  
 The underside of its canopy is a great space for people to get up close and personal with your brand and its message. Predominantly viewed whilst enjoying the shade and sheltering benefits of the parasol at close quarters.
- PRINTING ON ADDED VALANCE.**  
 The vertical sides of a valance offer the perfect space to communicate your brand's story or message, directly in the line of sight just above head height and visible up close or from a distance.
- PRINTING ON COVER BAG.**  
 Make sure your brand is out there even when your parasols canopy is not by printing on the cover bag.



Canvas printed on top side



Canvas Printed on the underside



Canvas Printed on added Valance



Papillon canopy branding





MADE TO ORDER  
OEM PARASOL FRAME & CANOPY OPTIONS



*Our teams have a passion for design and seeing those designs come to life through precision manufacturing. Which is why we at Woodline welcome OEM orders for quantities that validate such customizations. Set your imagination free and speak to us to see it through to fruition.*

OEM FRAME OPTIONS

*Customise your parasol canopy and structure frames to fit your spacial and environmental needs or to simply set yourself apart with these functional and elegant touches.*

- **CUSTOMIZED SIZES & SPECIFICATIONS OF PARASOLS**  
Speak to us about your specific needs and work with us to design your very own custom parasol from our range.
- **WOODEN COMPONENTS IN DIFFERENT COLOURS.**  
Choose from an array of colour treatments to stain the wooden components to fit your colour scheme.
- **STAINLESS STEEL IN #316 INSTEAD OF #304**  
If your environment demands the very highest quality marine grade stainless steel known to man. Then #316 stainless steel, which is often used in the construction of super yachts, is the only way to go.
- **POWDER COATING OF ALUMINIUM COMPONENTS**  
For high corrosion environments powder coating further extends the lifespan of aluminium. Not to mention a great way to add your choice of colour and a gloss finish to your aluminium components.
- **POLISHED OR BEAD BLASTED STAINLESS STEEL**  
Choose between the high gloss mirror like shine of the high polished finish or the matt sheen allure created by the glass bead blasted finishing treatments of the stainless steel components of your parasol.
- **NYLON COMPONENTS MOULDED IN COLOURS**  
Have your parasols fittings stand out dripping with colour or blend right in by choosing the colour of the nylon components that accentuate the parasol frames.



Canopy with different colour fabrics and thread.



Canopy with added valance.

OEM CANOPY OPTIONS

*Customise your parasol canopy and set yourself apart with these stylistic touches.*

- **CANOPY SEWN WITH DIFFERENT FABRIC COLOURS.**  
Mix it up with different fabric colours on your canopy.
- **FABRIC SUPPLIED BY CLIENT**  
Use your own fabric. Subject to fulfillment of technical requirements.
- **CANOPY SEWN WITH DIFFERENT COLOUR THREADS**  
Accentuate the seems of your canopy by using a different colour thread to that of the canopy fabric.
- **CANOPY WITH ADDED TASSELS.**  
Add your choice of tassels to the edges of the canopy.
- **CANOPY SEWN WITH DIFFERENT BINDING COLOURS.**  
Mix it up with different binding colours to accentuate the canopy edges.
- **CANOPY WITH ADDED VALANCE.**  
There's something special about a valance on a parasol. More than just its stylistic facade draping from the canopy edge, it has a certain presence, it demarcates an area and makes the parasol feel bigger.

MADE TO ORDER  
OEM BASE & CANOPY ATTACHMENT OPTIONS



OEM BASE & STORAGE OPTIONS

*Spec up your bases and storage accessories with these OEM component material options to better suit your environmental needs or simply to set you apart.*

- UPGRADE METAL COMPONENTS TO STAINLESS STEEL #304 OR MARINE GRADE #316
- WALL MOUNTED BRACKETS FOR VERTICAL STRUCTURES
- GALVANIZED METAL COMPONENTS
- OPTIONAL STORAGE TROLLEYS
- ADD COLOUR TO CONCRETE SLABS WITH PIGMENTS

OEM FABRIC ATTACHMENT OPTIONS

*Although we use stainless steel eyelets as our standard method of attaching the canopy fabric to its frame due to their strength, durability and ease of use the following methods can also be used...*



Fabric Rib Pocket



Leather Rib Pocket



Loxx quick release clip on attachment system

CANOPY ARM POCKET OPTIONS

RIB POCKETS	SUNBRELLA	PROOF	SYNTEC	LEATHER
SMALL	12631	12672	12679	03930
MEDIUM	12663	12631	12631	03924
LARGE	12687	12631	12631	03921

LOXX ATTACHMENT SYSTEM



**Loxx Attachment System** 09412  
The quick release attachment system. Clips on and off to secure the canopy fabric to its frame.

*Made from solid Stainless Steel with original German quality it is surely the quickest and easiest attachment system yet. Quickly becoming known for its durability, this is the future of attachment.*





---

### CARE & MAINTENANCE

---

*Every Woodline shade solution is meticulously engineered to the nth degree to maximize not just their form and functions, but also to make sure that they outlast even the harshest of conditions. Each item is crafted from the finest marine grade weather resistant materials, specifically selected for their ability to endure. Though our shade solutions are built to last, the relentless and extreme nature of the outdoors dictates that proper care and maintenance will always extend the lifespan of any item.*

- **FRAMES.**  
Constructed from the finest quality aluminium, marine grade stainless steel and most durable sustainable Eucalyptus timber. Our frames have been tested in some of the worlds most inhospitable environments and have only ever benefited from the appropriate application of caution and common sense in excessive wind conditions. We advocate the use of our cover bags to prolong the life of the canopy frames and their covering fabrics. We recommend the closure and safe storage of any collapsible and removable components when the parasol is not in use or when winds are expected to exceed 40km/h (24.8mph).
- **WOODEN COMPONENTS.**  
We only use sustainable Eucalyptus timber hand picked for its strength, weather resistance, and replenishment efficiency from the worlds finest FSC accredited plantations and timber mills. Our wooden components are treated with marine yacht varnish to fortify them for outdoor living. We recommend the periodic care of wooden components with a light sanding and reapplication the varnish coating once a year to maintain the woods natural beauty.
- **FITTINGS.**  
All fittings, nuts, bolts, pulleys and cleats components are made with non corrosive marine grade stainless steel and weather proof nylon. Maintaining these fittings and components is imperative to the longevity and the proper operation of the shade system. A simple occasional fresh water rinsing will help keep them working well and looking good.
- **BASES**  
It is essential to pick the right base for you parasol, consult the base chapter as a guide and talk to our sales team to ensure that the parasol you choose has the appropriate base to keep it anchored properly.
- **FABRICS.**  
Our canopies and fabric covers are made from the most durable, colourfast, and dirt repellent fabrics in the world. That said, proper care such as storage when not in use and cleaning from time to time will undoubtedly extend their lifespan.







### *T's & C's, Copyright and Trademark Notice*

Unless otherwise specified, all materials appearing on this catalogue, including the text, specifications, product design, layout, logos, graphics, icons, and images, as well as the selection, assembly and arrangement thereof, are the sole property of Protrade and Woodline Manufacturing (Pty) Ltd, Copyright © 2014, ALL RIGHTS RESERVED. The content of this catalogue may only be used for the purpose of shopping this range or placing an order from this catalogue and for no other purpose.

No materials from this catalogue may be copied, reproduced, modified, republished, uploaded, posted, transmitted, or distributed in any form or by any means without our prior written permission.

All rights not expressly granted herein are reserved. Any unauthorized use of the materials appearing on this catalogue may violate copyright, trademark and other applicable laws and could result in criminal or civil penalties.

Colours, drawings and images are only representational and may differ from the actual product.

Woodline is not liable for the information provided in this document and reserves the right to change the specifications, details, products, and packaging information of the contents of this catalogue at any time. The contents of this catalogue is subject to change without prior notice.